

Installation Instructions  
Installationsanleitung  
Montaj Talimatları  
Installationsvejledning  
Asennusohjeet  
Installasjonsinstruksjoner  
Monteringsinstruktioner  
Instruções de instalar  
Инструкции за Инсталация  
Упатства за инсталирање  
Instrukcja montażu  
Pokyny k instalaci  
Paigaldusjuhised  
Installatie instructies  
Priručnik za instalaciju  
Priručnik za instalaciju  
Uputstvo za ugradnju

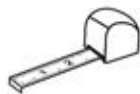
Manual de instalación  
Manual de Instalação  
Οδηγίες Εγκατάστασης  
Instructions d'installation  
Telepítési útmutató  
Istruzioni per l'installazione  
Įdiegimo instrukcija  
Uzstādīšanas instrukcijas  
Руководство по установке  
Pokyny na inštaláciu  
Navodilo za namestitev  
Інструкції з встановлення  
O'matish bo'yicha qo'llanma  
설치 설명서  
Орнату туралы нұсқаулық  
安裝手冊



EN / DE / TR / DA / FI / NO / SV / RO / BG / MK / PL / CZ /  
ET / NL / HR / BS / SB / ES / PT / EL / FR / HU / IT / LT / LV  
/ RU / SK / SL / UK / UZ / KO / KK / ZH



185.7320.07/R.AH/19.07.2022

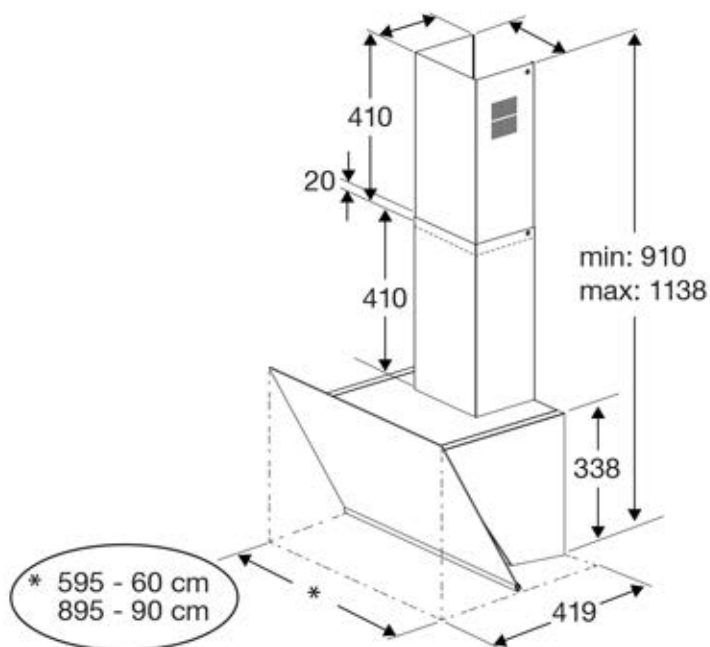


x2

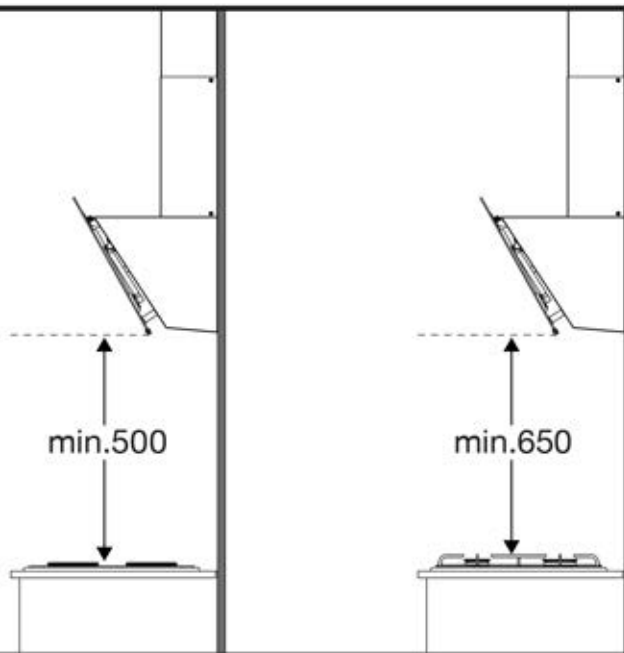
Ř 3,5 x 22 mm



1

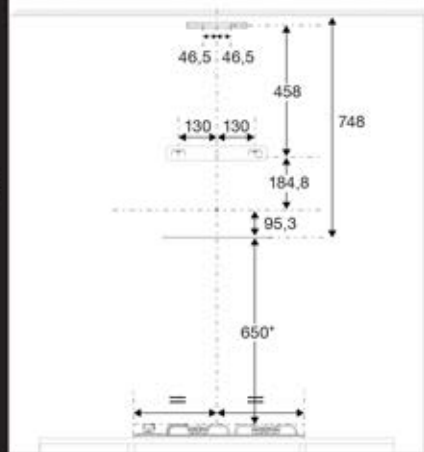


2

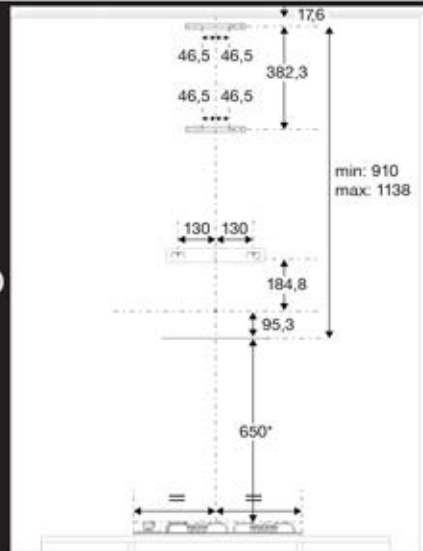


3

3a



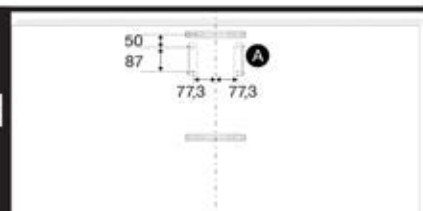
3b



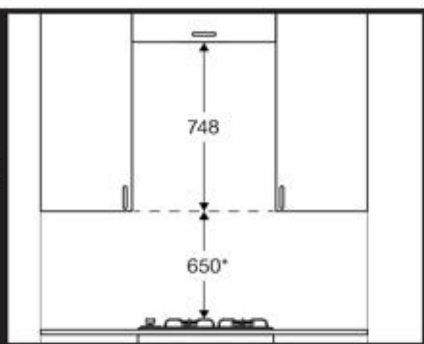
3c



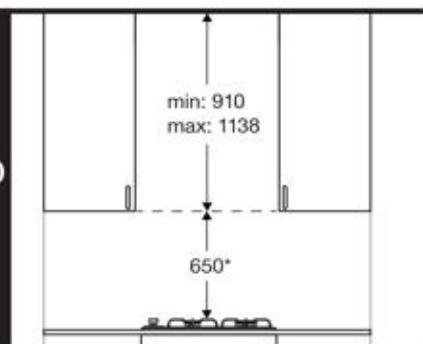
3d



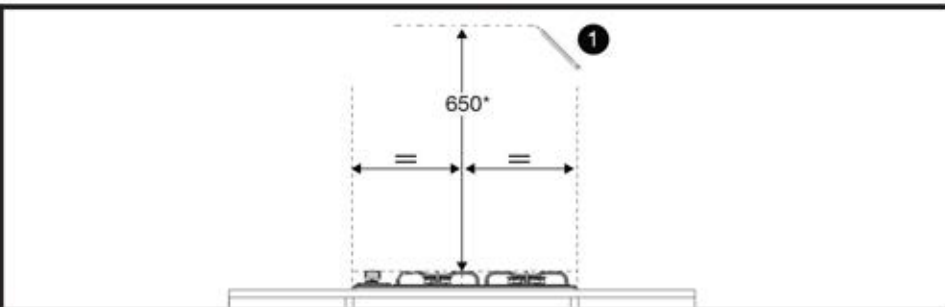
4a



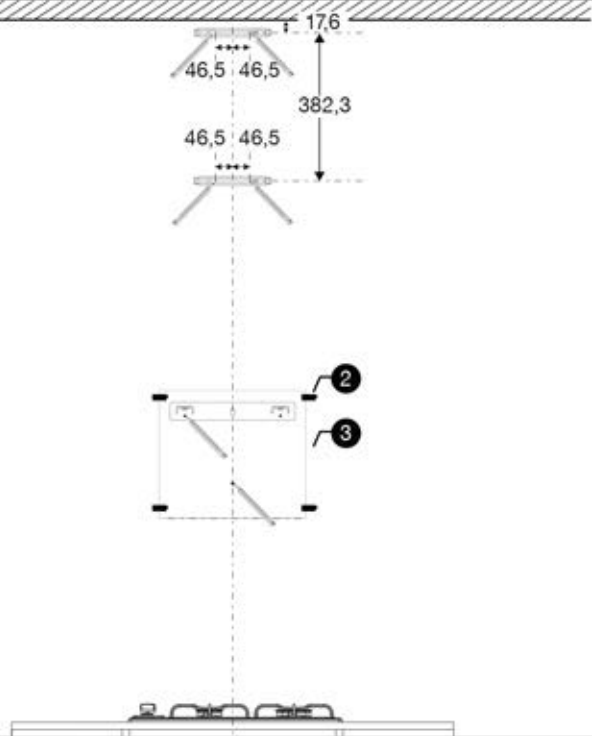
4b



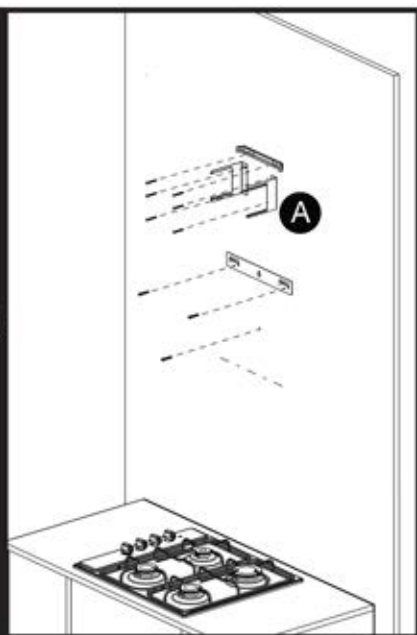
5



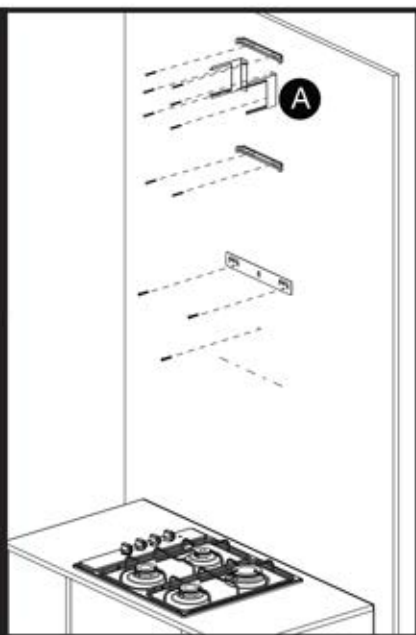
6



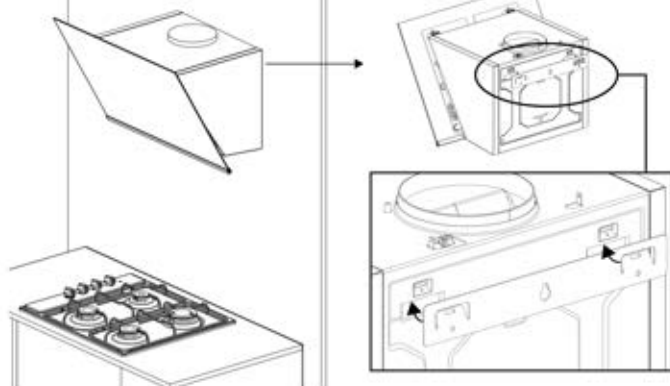
7a



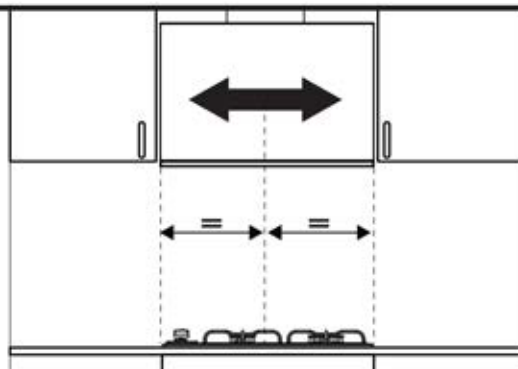
7b



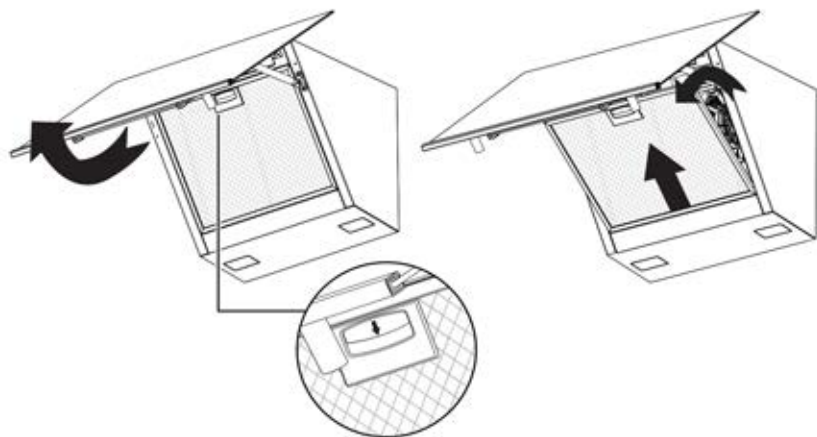
8



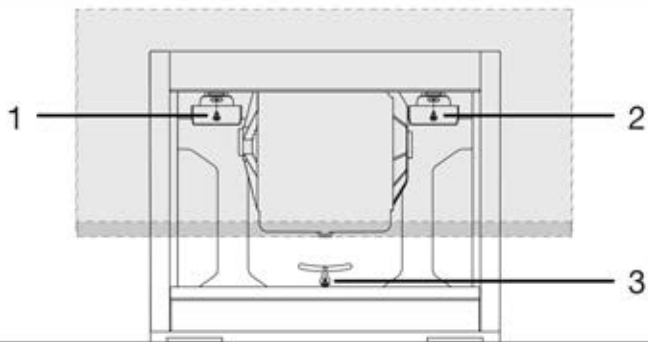
9



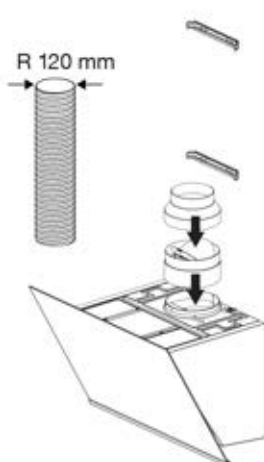
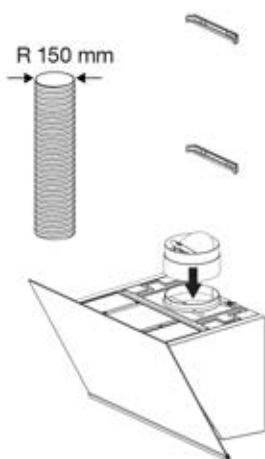
10



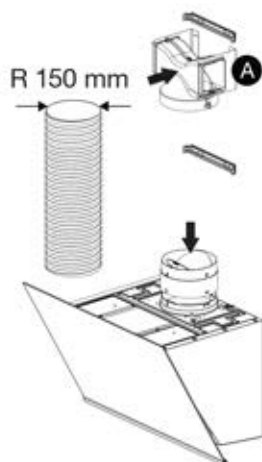
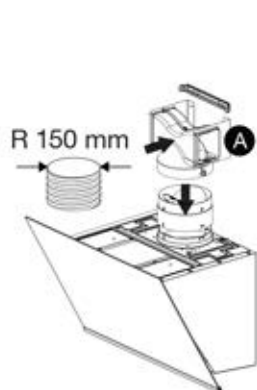
11



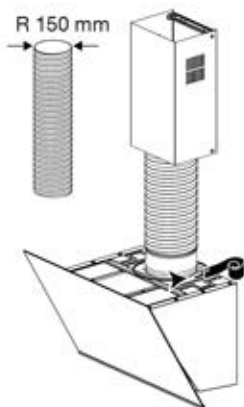
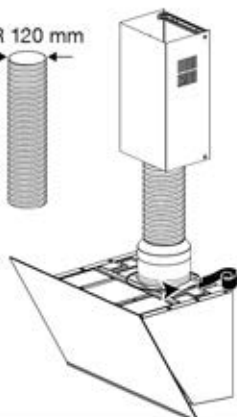
12a



12b



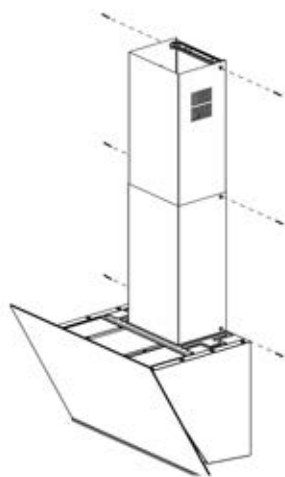
13

 $R\ 120\ \text{mm}$ 

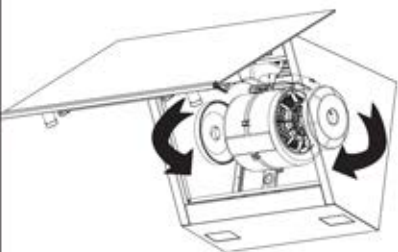
14a



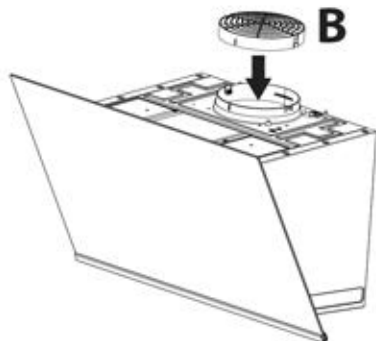
14b



15



16





## EN- Safety Instructions

- The appliance shall be installed by a qualified person in accordance with the regulations in force to keep the warranty applicable. The manufacturer shall not be held responsible for damages arising from procedures carried out by unauthorized persons which will also void the warranty.
- It is customer's responsibility to prepare the location the appliance shall be placed on and to have the electrical installation prepared. Before calling Authorized Service, make sure the electrical infrastructure is suitable. If it is not, call a qualified electrician and fitter to have the required arrangements made.
- The rules specified in the local electrical installation standards shall be followed during the product installation.
- Before installing the appliance, remove all materials and documents in it and check for any damage on the appliance. Do not have it installed if the appliance is damaged.
- The product is heavy, carry the product with at least two people.
- Disconnect electrical connections in the area of installation before starting the installation.
- Failing to install the screws and securing equipment in accordance with the guide may cause electrical danger.
- The parts of product may have sharp surfaces. Use protective gloves for installation.
- There may be a risk of fall if the product is not fixed enough. Make sure all fixings are securely fastened.
- The hood width must be at least equal to the width of your hob.
- Dimensions given in installation diagrams are in mm.
- The air to be expelled from the hood should not be fed into a chimney used by other appliances burning gas or other fuels. (not applicable for appliances that discharge air back into the room).
- Legislation regarding the evacuation of air must be complied with.
- If the oil filters are not cleaned and maintained regularly and the carbon filter is not replaced although its lifetime is over (approximately 4 months), there is a possibility of causing fire.

## Installation of the appliance

This installation manual describes two different ways of installation based on the

flue type. You can determine the installation method suitable for your house and observe the following installation steps.

- 1- Installation with flue - the aspirated air is transferred to the outdoor through a flue;
- 2- Installation with a carbon filter where aspirated air will be transferred to the indoor by passing through a carbon filter

### Product dimensions and safety measurements (Figure 1-2)

- Pay attention to the product dimensions. Consider its suitability with your furniture. (Figure 1)
  - The height between the lower surface of your hood and the upper surface of the hob **should not be less than 650 mm for gas hobs and 500 mm for electrical hobs.** (Figure 2)
- \* In the installation pictures, a demonstration was made on the gas hob as an example and the size required to be left on the hob was shown as 650 mm. If you have an electrical hob, take this measurement as 500 mm as a reference.

### The inspection and preparation of the wall for the installation

- The wall on which the appliance will be installed, should be capable of bearing the appliance, upright and in a flat position.
- There must be no water, electricity and gas connections on the installation wall and around the holes to be drilled.

### Electrical connection of the appliance

- This appliance has a two-mark power cables and must be connected to the mains through an electrical switch with a gap of at least 3 mm between the bipolar contact terminals. Have the electrical connection done by a qualified electrician.
- Disconnect the appliance from the electric connection before starting any work on the electrical installation. Risk of electric shock.
- The appliance may only be connected to the mains electricity connection by an authorized and qualified person. The manufacturer shall not be held responsible for any damages that may occur as a result of operations performed by unauthorized persons.
- Install your appliance in a way that the electrical connection (power outlet, plug) can be easily reached after installation.
- If your product has plug, do not make electrical connections by disconnecting the plug during installation. Connections made by cutting off render the product warranty void and pose a danger to user safety.

## 1- Installation with flue - the aspirated air is transferred to the outdoor through a flue;

### Installation dimensions and details (Figure 3a-3b-4a-4b)

- The dimensions for the installation with double flue are shown in Figure 3b.
- If the installation will be carried out as a double-chimney, the length from the required clearance distance above the hob to your furniture shall be in the range of 910-1138 mm. (Figure 4b)
- If the installation will be carried out as a single chimney, the length from the required clearance distance above the hob to your furniture shall be 748 mm. (Figure 3a-4a) For a single flue installation, use the upper flue with a ventilation hole.

### Installation of product fixing parts (Figure 5-6-7a-7b)

- Centre your hob and draw a vertical axis line on the wall.
- Draw a horizontal reference line by measuring a 650 mm distance from the upper point of your hob. (Figure 5)
- Centre the supplied template to the reference point drawn and stick it on the wall and mark the holes in the template with a pencil. (Figure 6)
- From the top of your furniture or ceiling, mark the holes for the flue fixing parts as per the dimensions shown in figure 6.
- Fix the hood fixing part and flue fixing parts to the wall as indicated in figures 7a and 7b. Single-flue use is shown in figure 7a, and double-flue use in figure 7b. (Part A is intended for the installation with a carbon filter)

### Hanging, aligning and fixing the hood (Figures 8-9-10-11)

- Hang your hood on the hood fixing part that you have fixed to the wall. (Figure 8)
- Align your hob in a central position by sliding the hood to the right and the left direction on the fixing part. (Figure 9)
- Open the glass cover of the hood and take out the aluminium filter as shown in the figure 10.
- Fix your hood on the hood fixing part with the glass cover open as shown in the figure 11.
- Close the hood glass cover after installing the aluminium filter.

### Installing flue outlet pipes (Figure 12a)

- As shown in Figure 12a, place the cover, which prevents the reversed air flow, on the chimney outlet.

- If the diameter of your flue outlet pipe is 150 mm, mount the flue outlet pipe on the cover.
- If the diameter of your flue outlet pipe is 120 mm, mount the flue outlet pipe after placing the flue connection adapter on the cover.
- Insulate the joints appropriately.

### Fixing the chimney sheets (Figures 13-14a-14b)

- Adhere the tape supplied with the product around the joint of the plastic part preventing reverse air flow and the hood flue outlet (Figure 13).
- If you install the appliance with a single flue extension, as shown in the figure 14a, complete the installation by fixing the flue extension, which has 4 screw holes, with 4 screws through the lower hole circles available on the hood.
- If you install the appliance with a double flue extension, as shown in the figure 14b, fix the flue extension, which has 4 screw holes, firstly, with 4 screws in a way that it will be placed on the upper part. After that, fit the flue extension, which has 2 screw holes, on the fixed upper flue and complete the installation by fixing it with 2 screws through lower hole circles.

## 2- Installation with a carbon filter where aspirated air will be transferred to the indoor by passing through a carbon filter

- In the carbon filter installation, the air sucked from the environment passes through the aluminium filter and is purified from odours. After passing through the carbon filters and the air diverter, it is supplied back to the environment through the ventilation grilles on the side surface of the flue. Flue outlet pipes are not used in carbon filter installation.
- For installation, Figure 1-2 explanations are applicable for the installation with flue.

### Installation dimensions and details (Figure 3-4)

- The dimensions for the installation with double flue are shown in Figure 3b. For the carbon filter installation, the 2 pieces of A parts to which the air deflector will be attached must be secured in the dimensions shown in the figure 3d.
- If the installation will be carried out as a double-chimney, the length from the required clearance distance above the hob to your furniture shall be in the range of 910-1138 mm. (Figure 4b)
- If the installation will be carried out as a single chimney, the length from the required

clearance distance above the hob to your furniture shall be 748 mm. (Figure 3a-4a) For a single flue installation, use the upper flue with a ventilation hole. In addition for carbon filter installation, the 2 pieces of A parts to which the air deflector will be attached must be secured in the dimensions shown in the figure 3c.

### Installation of product fixing parts (Figure 5-6-7a-7b)

- Centre your hob and draw a vertical axis line on the wall.
- Draw a horizontal reference line by measuring a 650 mm distance from the upper point of your hob. (Figure 5)
- Centre the supplied template to the reference point drawn and stick it on the wall and mark the holes in the template with a pencil. (Figure 6)
- From the top of your furniture or ceiling, mark the holes for the flue fixing parts as per the dimensions shown in figure 6.
- Fix the hood fixing part and flue fixing parts to the wall as indicated in figures 7a and 7b. Single-flue use is shown in figure 7a, and double-flue use in figure 7b.
- Secure the A parts to which the air deflector will be attached to the wall as shown in figures 7a and 7b.

### Hanging, aligning and fixing the hood (Figures 8-9-10-11)

- Hang your hood on the hood fixing part that you have fixed to the wall. (Figure 8)
- Align your hob in a central position by sliding the hood to the right and the left direction on the fixing part. (Figure 9)
- Open the glass cover of the hood and take out the aluminium filter as shown in the figure 10.
- Fix your hood on the hood fixing part with the glass cover open as shown in the figure 11.
- Close the hood glass cover after installing the aluminium filter.

### Mounting the chimney outlet pipe (Figure 12b)

- As shown in the figure 12b, place the cover, which prevents the reversed air flow, on the flue outlet.
- Fix the air guiding plastic part on the A parts, which are fixed on the wall, as shown in the figure 12b.
- For the installation with a carbon filter, a hood ventilation pipe with a diameter of 150 mm should be used. This pipe is not supplied with the product and you must provide it.
- Fix a hood ventilation pipe with a diameter

of 150 mm between the air guiding plastic and the cover which prevents the reversed air flow.

### Securing the flue extensions (Figure 14a-14b)

- Adhere the tape supplied with the appliance around the combination of hood flue outlet and the plastic which prevents the reversed air flow. (Figure 13, where the picture of a hood ventilation pipe with a diameter of 150 mm is shown)
- If you install the appliance with a single flue extension, as shown in the figure 14a, complete the installation by fixing the flue extension, which has 4 screw holes, with 4 screws through the lower hole circles available on the hood.
- If you install the appliance with a double flue extension, as shown in the figure 14b, fix the flue extension, which has 4 screw holes, firstly, with 4 screws in a way that it will be placed on the upper part. After that, fit the flue extension, which has 2 screw holes, on the fixed upper flue and complete the installation by fixing it with 2 screws through lower hole circles.

### Installation of carbon filter

- To install carbon filters, after opening the glass cover of the hood and removing the aluminium filter, place the lug sockets on the carbon filters into the lugs on the motor carrier as shown in picture 15 and turn them clockwise to snap them into place.
- Complete the installation by mounting the aluminium filter and closing the glass cover of the hood.

### If your product has part B:

- In use with a carbon filter, for installation without a flue extensions you can install part B it as shown in picture 16.

### Final check

- Check the hood and its lamp by operating them as described in the user manual.

### DE- Sicherheitshinweise

- Das Gerät muss von einer qualifizierten Person in Übereinstimmung mit den geltenden Vorschriften installiert werden, damit die Garantie gültig bleibt. Der Hersteller ist nicht verantwortlich für Schäden, die durch von nicht autorisierten Personen durchgeführte Verfahren entstehen, die auch zum Erlöschen der Garantie führen können.
- Es liegt in der Verantwortung des Kunden, den Ort, an dem das Gerät aufgestellt werden soll, vorzubereiten und die Elektroinstallation vorbereiten zu lassen.