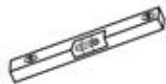
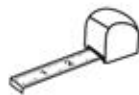


**Installation Instructions
Installationsanleitung
Montaj Talimatları
Instrucțiuni de instalare
Инструкции за Инсталация
Instrukcja montażu
Pokyny k instalaci
Installatie instructies
Manual de instalación
Οδηγίες Εγκατάστασης
Instructions d'installation**



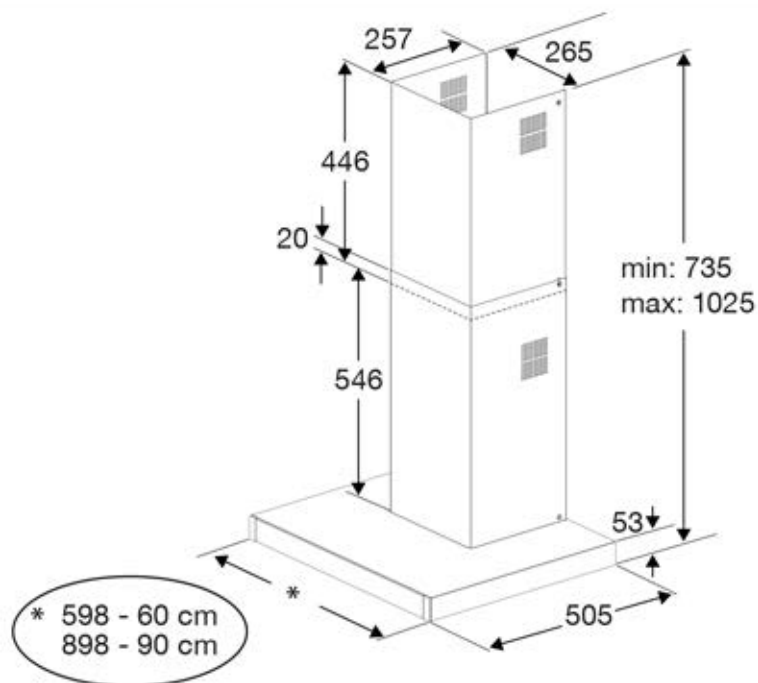
EN / DE / TR / RO / BG / PL / CZ / NL / ES / EL / FR



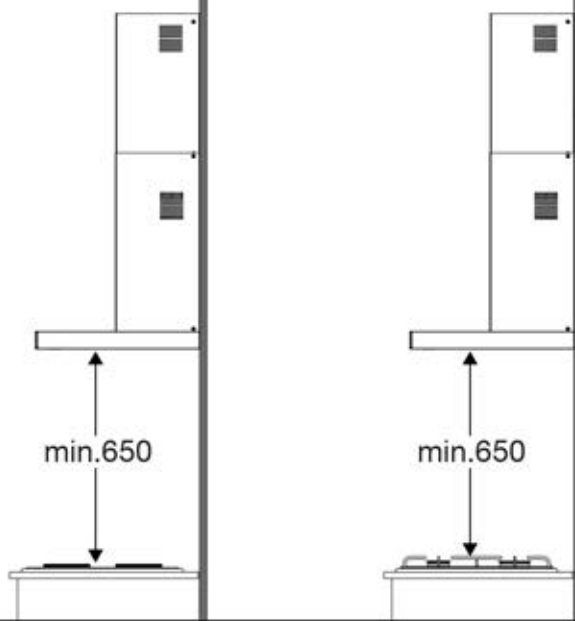
x2
R 3,5 x 22 mm



1

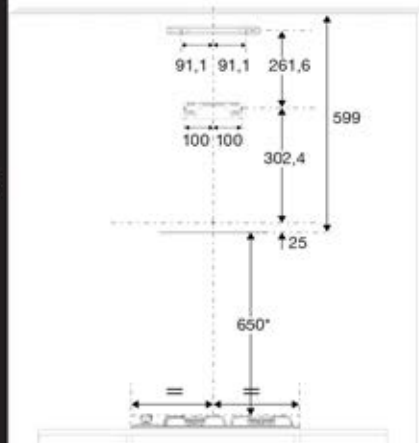


2

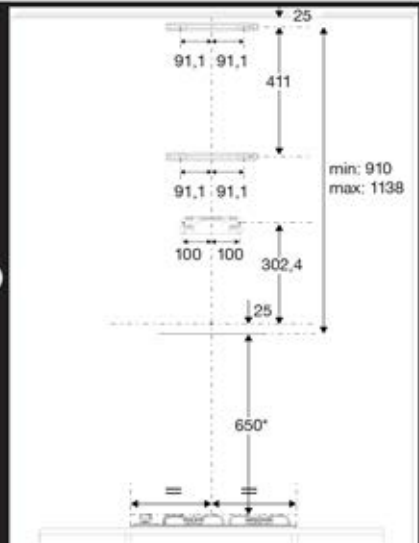


3

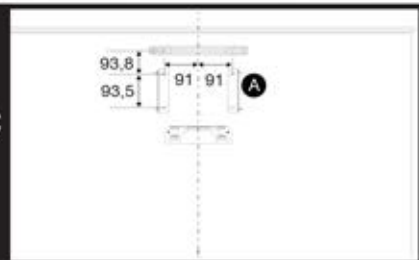
3a



3b



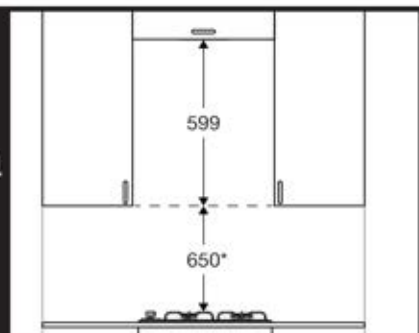
3c



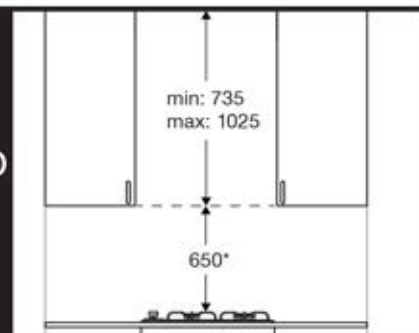
3d



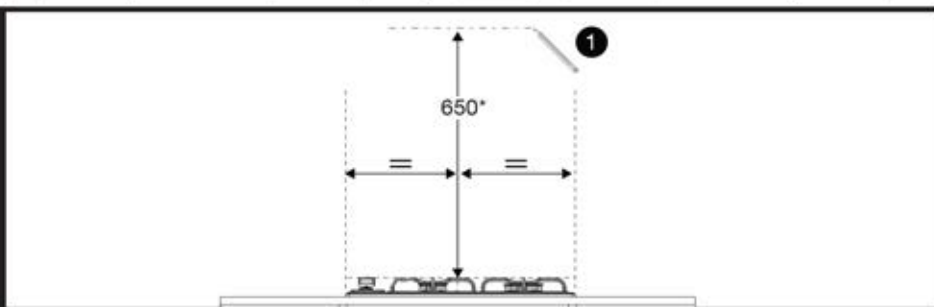
4a



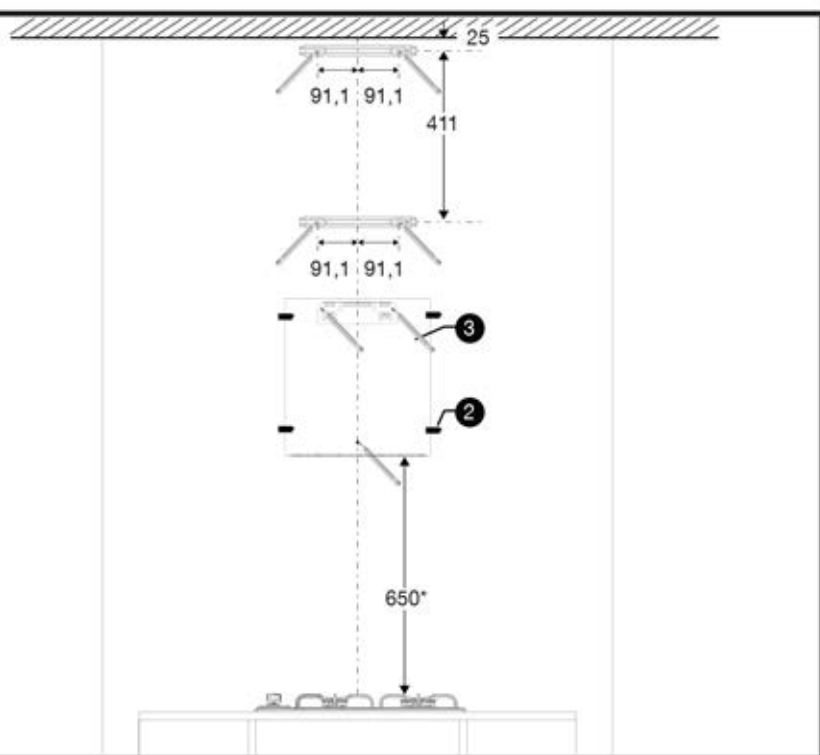
4b



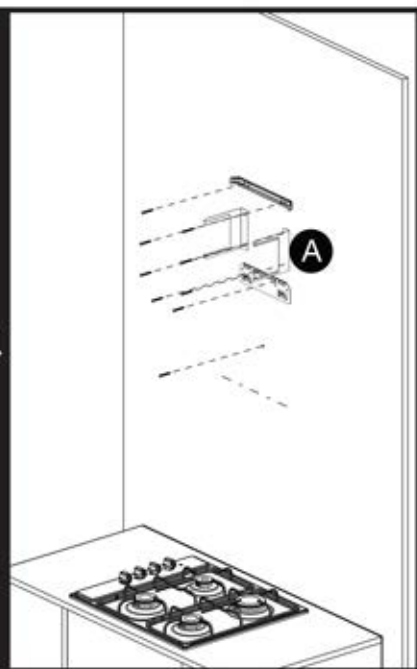
5



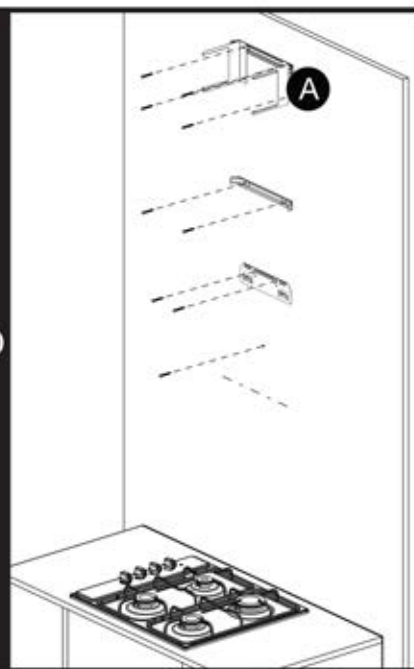
6



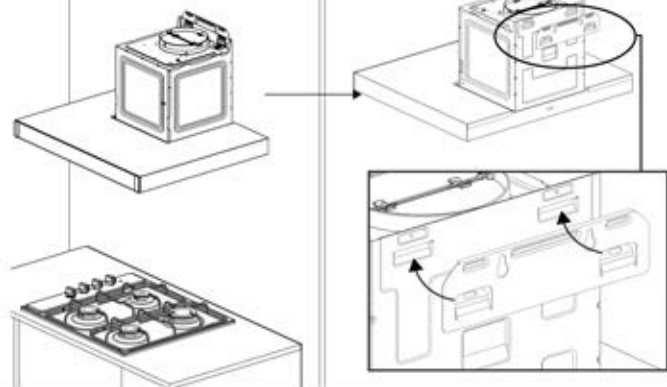
7a



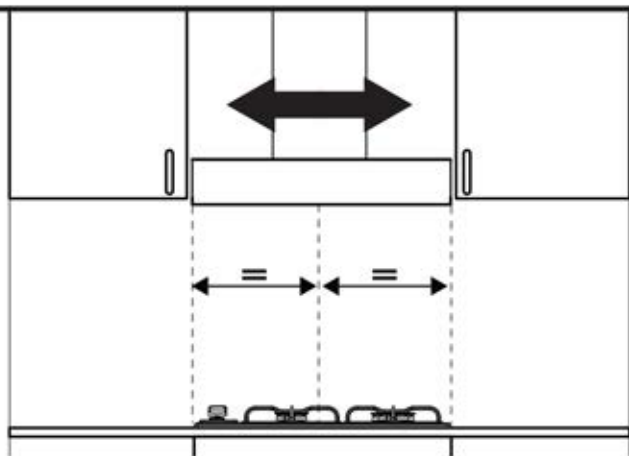
7b



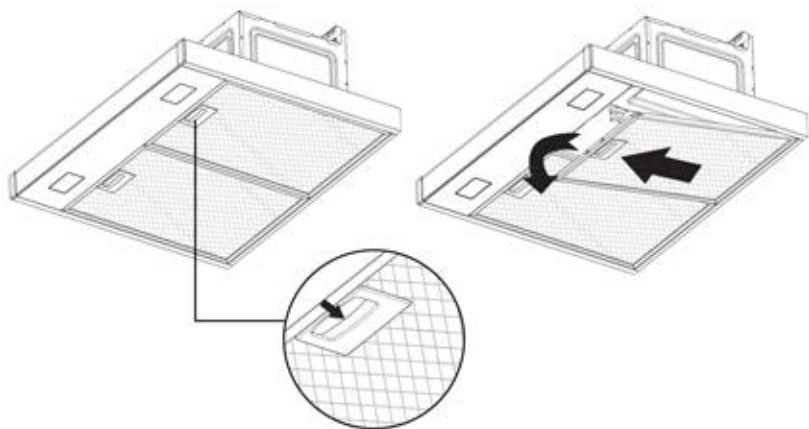
8



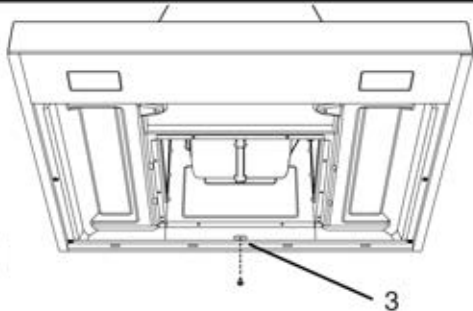
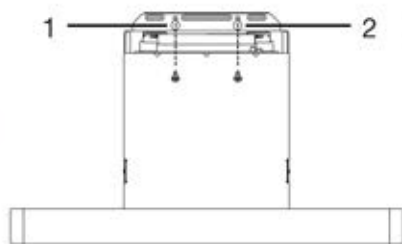
9



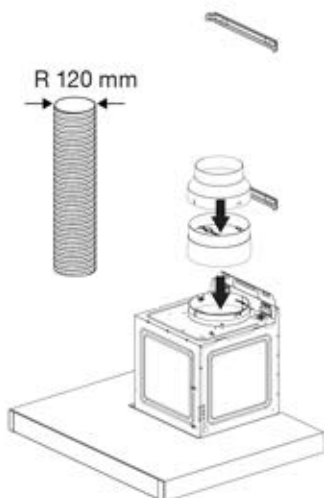
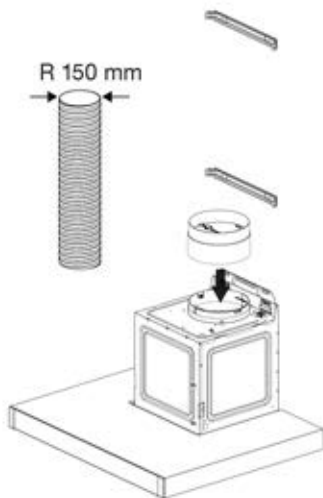
10



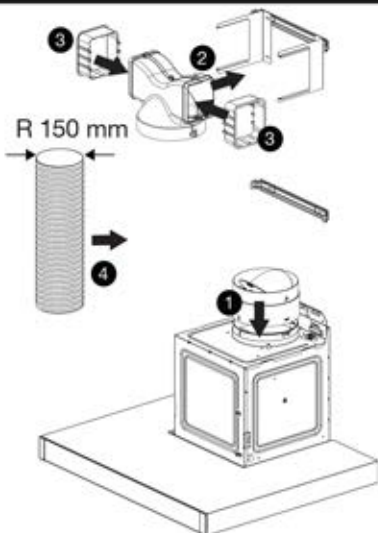
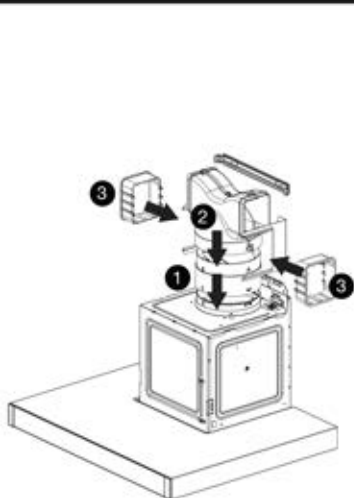
11



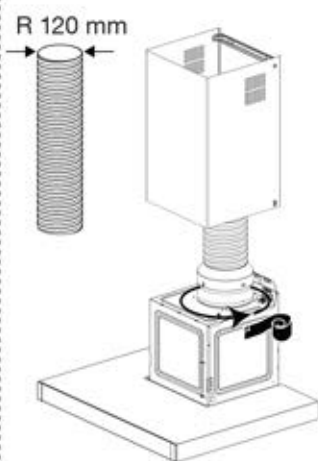
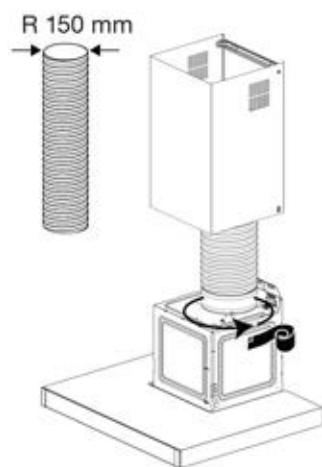
12a



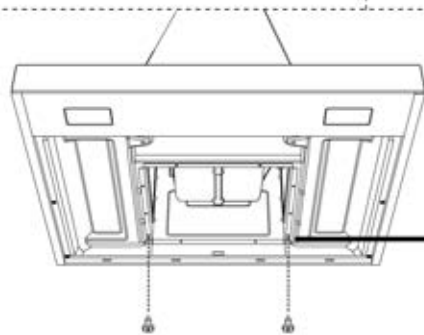
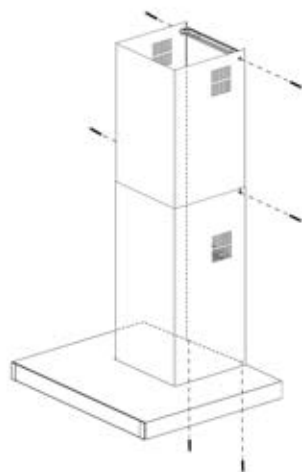
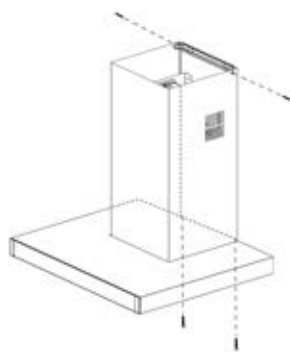
12b



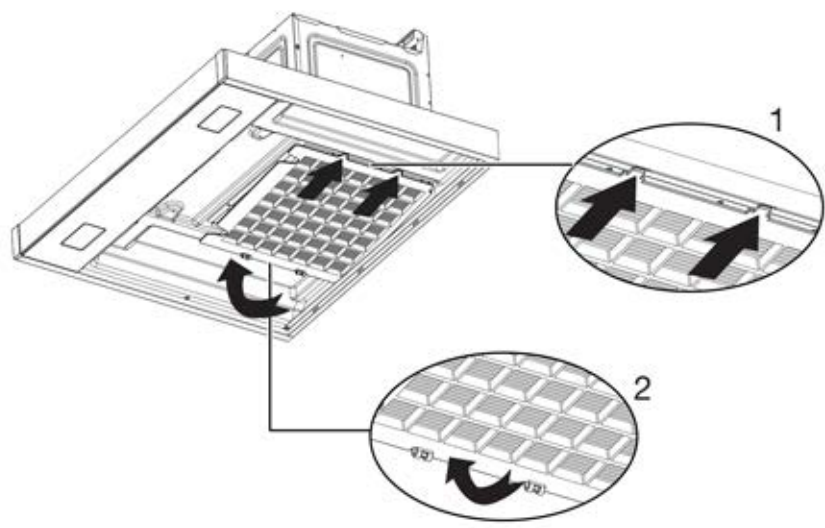
13



14



15



EN- Safety Instructions

- The appliance shall be installed by a qualified person in accordance with the regulations in force to keep the warranty applicable. The manufacturer shall not be held responsible for damages arising from procedures carried out by unauthorized persons which will also void the warranty.
- It is customer's responsibility to prepare the location the appliance shall be placed on and to have the electrical installation prepared. Before calling Authorized Service, make sure the electrical infrastructure is suitable. If it is not, call a qualified electrician and fitter to have the required arrangements made.
- The rules specified in the local electrical installation standards shall be followed during the product installation.
- Before installing the appliance, remove all materials and documents in it and check for any damage on the appliance. Do not have it installed if the appliance is damaged.
- The product is heavy, carry the product with at least two people.
- Disconnect electrical connections in the area of installation before starting the installation.
- Failing to install the screws and securing equipment in accordance with the guide may cause electrical danger.
- The parts of product may have sharp surfaces. Use protective gloves for installation.
- There may be a risk of fall if the product is not fixed enough. Make sure all fixings are securely fastened.
- The hood width must be at least equal to the width of your hob.
- Dimensions given in installation diagrams are in mm.
- The air to be expelled from the hood should not be fed into a chimney used by other appliances burning gas or other fuels. (not applicable for appliances that discharge air back into the room).
- Legislation regarding the evacuation of air must be complied with.
- If the aluminium (oil) filters are not cleaned and maintained regularly and the carbon filter is not replaced even if its life is over (approximately 4 months), there is a

possibility of fire.

Installation of the appliance

This installation manual describes two different ways of installation based on the flue type. You can determine the installation method suitable for your house and observe the following installation steps.

- 1- Installation with flue - the aspirated air is transferred to the outdoor through a flue;
- 2- Installation with a carbon filter where aspirated air will be transferred to the indoor by passing through a carbon filter

Product dimensions and safety measurements (Figure 1-2)

- Pay attention to the product dimensions. Consider its suitability with your furniture. (Figure 1)
- Height between the bottom surface of your hood and the top surface of **the hob should be no less than 650 mm for gas ovens and 650 mm for electrical ovens.** (Figure 2)

The inspection and preparation of the wall for the installation

- The wall on which the appliance will be installed, should be capable of bearing the appliance, upright and in a flat position.
- There must be no water, electricity and gas connections on the installation wall and around the holes to be drilled.

Electrical connection of the appliance

- This appliance has a two-mark power cables and must be connected to the mains through an electrical switch with a gap of at least 3 mm between the bipolar contact terminals. Have the electrical connection done by a qualified electrician.
- Disconnect the appliance from the electric connection before starting any work on the electrical installation. Risk of electric shock.
- The appliance may only be connected to the mains electricity connection by an authorized and qualified person. The manufacturer shall not be held responsible for any damages that may occur as a result of operations performed by unauthorized persons.
- Install your appliance in a way that the electrical connection (power outlet, plug) can be easily reached after installation.
- If your product has plug, do not make electrical connections by disconnecting the

plug during installation. Connections with connections by cutting off render the product warranty void and pose a danger to user safety.

1- Installation with flue - the aspirated air is transferred to the outdoor through a flue;

Installation dimensions and details (Figure 3a-3b-4a-4b)

- The dimensions for the installation with double flue are shown in Figure 3b.
- If the installation will be carried out as a double-chimney, the length from the required clearance distance above the hob to your furniture shall be in the range of 910-1138 mm. (Figure 4b)
- If the installation will be carried out as a single chimney, the length from the required clearance distance above the hob to your furniture shall be 748 mm. (Figure 3a-4a) For a single flue installation, use the upper flue with a ventilation hole.

Installation of product fixing parts (Figure 5-6-7a-7b)

- Centre your hob and draw a vertical axis line on the wall.
- Draw a horizontal reference line by measuring a 650 mm distance from the upper point of your hob. (Figure 5)
- Centre the supplied template to the reference point drawn and stick it on the wall and mark the holes in the template with a pencil. (Figure 6)
- From the top of your furniture or ceiling, mark the holes for the flue fixing parts as per the dimensions shown in figure 6.
- Fix the hood fixing part and flue fixing parts to the wall as indicated in figures 7a and 7b. Single-flue use is shown in figure 7a, and double-flue use in figure 7b. (Part A is intended for the installation with a carbon filter)

Hanging, aligning and fixing the hood (Figures 8-9-10-11)

- Hang your hood on the hood fixing part that you have fixed to the wall. (Figure 8)
- Align your hob in a central position by sliding the hood to the right and the left direction on the fixing part. (Figure 9)
- Remove the aluminium (oil) filters as shown in figure 10.

- Secure your hood to the hood fixing part and to the wall as shown in figure 11.
- Reinstall the aluminium (oil) filters.

Installing flue outlet pipes (Figure 12a)

- Mount the cover preventing the reverse air flow at the flue outlet as shown in Figure 12a.
- If the diameter of your flue outlet pipe is 150 mm, mount the flue outlet pipe on the cover.
- If the diameter of your flue outlet pipe is 120 mm, mount the flue outlet pipe after placing the flue connection adapter on the cover.
- Insulate the joints appropriately.

Securing the flue extensions (Figure 13-14)

- Adhere the tape supplied with the product around the joint of the plastic part preventing reverse air flow and the hood flue outlet (Figure 13).
- If you perform the installation with one-piece extension, secure the flue extension with screw hole with 2 screws through the lower holes on the hood as shown on the left in figure 14. Complete the installation by securing it with 2 screws from inside the hood as shown below in Figure 14.
- If you perform the installation with two-piece extension, first fix the upper flue extension with 4 screws as shown on the right in figure 14. Then, complete the installation by placing the lower extension into the upper extension and securing it with 2 screws from inside the hood as shown below in Figure 14.

2- Installation with a carbon filter where aspirated air will be transferred to the indoor by passing through a carbon filter

- In the carbon filter installation, the air sucked from the environment passes through the aluminium filter and is purified from odours. After passing through the carbon filters and the air diverter, it is supplied back to the environment through the ventilation grilles on the side surface of the flue. Flue outlet pipes are not used in carbon filter installation.

- For installation, Figure 1-2 explanations are applicable for the installation with flue.

Installation dimensions and details (Figure 3-4)

- The dimensions for the installation with double flue are shown in Figure 3b. For the carbon filter installation, the 2 pieces of A parts to which the air deflector will be attached must be secured in the dimensions shown in the figure 3d.
- If the installation will be carried out as a double-chimney, the length from the required clearance distance above the hob to your furniture shall be in the range of 910-1138 mm. (Figure 4b)
- If the installation will be carried out as a single chimney, the length from the required clearance distance above the hob to your furniture shall be 748 mm. (Figure 3a-4a) For a single flue installation, use the upper flue with a ventilation hole in addition for carbon filter installation, the 2 pieces of A parts to which the air deflector will be attached must be secured in the dimensions shown in the figure 3c.

Installation of product fixing parts (Figure 5-6-7a-7b)

- Centre your hob and draw a vertical axis line on the wall.
- Draw a horizontal reference line by measuring a 650 mm distance from the upper point of your hob. (Figure 5)
- Centre the supplied template to the reference point drawn and stick it on the wall and mark the holes in the template with a pencil. (Figure 6)
- From the top of your furniture or ceiling, mark the holes for the flue fixing parts as per the dimensions shown in figure 6.
- Fix the hood fixing part and flue fixing parts to the wall as indicated in figures 7a and 7b. Single-flue use is shown in figure 7a, and double-flue use in figure 7b.
- Secure the A parts to which the air deflector will be attached to the wall as shown in figures 7a and 7b.

Hanging, aligning and fixing the hood (Figures 8-9-10-11)

- Hang your hood on the hood fixing part that you have fixed to the wall. (Figure 8)
- Align your hob in a central position by sliding the hood to the right and the left direction on the fixing part. (Figure 9)

- Remove the aluminium (oil) filters as shown in figure 10.
- Secure your hood to the hood fixing part and to the wall as shown in figure 11.
- Reinstall the aluminium (oil) filters.

Mounting the flue outlet pipe/air deflector (Picture 12b)

- For single flue installation, as shown on the left in picture 12b:
 - 1 - Mount the cover preventing reverse air flow at the flue outlet.
 - 2 - Install the air deflector to the part preventing reverse air flow.
 - 3 - Attach the side lock parts of the air deflector so that they fit into the A parts fixed to the wall.
- For double flue installation, as shown on the right in picture 12b:
 - 1 - Mount the cover preventing reverse air flow at the flue outlet.
 - 2 - Install the air deflector to the A parts fixed to the wall.
 - 3 - Attach the side lock parts of the air deflector so that they fit into the A parts fixed to the wall.
 - 4 - Install the hood ventilation pipe with a diameter of 150 mm between the cover preventing reverse air flow and the air deflector.
- For double-flue use in carbon filter installation, the hood ventilation pipe with a diameter of 150 mm shall be used. This pipe is not supplied with the product and you must provide it.

Securing the flue extensions (Figure 14a-14b)

- Adhere the tape supplied with the product around the joint of the plastic part preventing reverse air flow and the hood flue outlet (Figure 13).
- If you perform the installation with one-piece extension, secure the flue extension with screw hole with 2 screws through the lower holes on the hood as shown on the left in figure 14. Complete the installation by securing it with 2 screws from inside the hood as shown below in Figure 14.
- If you perform the installation with two-piece extension, first fix the upper flue extension with 4 screws as shown on the right in figure 14. Then, complete the installation by placing the lower extension into the upper extension and securing it with 2 screws from inside the hood as shown below in Figure 14.

Installation of carbon filter

- Remove the aluminium filters to install the carbon filter. First, place the tabs on the carbon filter into their slots as seen in figure 15 (1). Then, press the locks on the other end of the carbon filter upwards and attach them (2).
- Replace the aluminium filters and complete the installation.

Final check

- Check the hood and its lamp by operating them as described in the user manual.

DE- Sicherheitshinweise

- Das Gerät muss von einer qualifizierten Person in Übereinstimmung mit den geltenden Vorschriften installiert werden, damit die Garantie gültig bleibt. Der Hersteller ist nicht verantwortlich für Schäden, die durch von nicht autorisierten Personen durchgeführte Verfahren entstehen, die auch zum Erlöschen der Garantie führen können.
- Es liegt in der Verantwortung des Kunden, den Ort, an dem das Gerät aufgestellt werden soll, vorzubereiten und die Elektroinstallation vorbereiten zu lassen. Bevor Sie den autorisierten Kundendienst anrufen, vergewissern Sie sich, dass die elektrische Infrastruktur geeignet ist. Sollte diese nicht der Fall sein, lassen Sie von einem qualifizierten Techniker und Installateur die notwendigen Arbeiten ausführen.
- Bei der Produktinstallation sind die Regeln in der örtlichen Elektroinstallationsnormen zu befolgen.
- Bevor Sie das Gerät installieren, entfernen Sie alle Materialien und Dokumente im Inneren und kontrollieren Sie das Gerät auf eventuelle Schäden. Installieren Sie das Gerät nicht, wenn das Gerät beschädigt ist.
- Das Gerät ist schwer, Sie brauchen also mindestens einen zusätzlichen Helfer.
- Trennen Sie die elektrischen Verbindungen im Bereich der Installation, bevor Sie mit der Installation beginnen.
- Wenn die Schrauben und Befestigungsvorrichtung nicht gemäß der Anleitung installiert werden, können elektrische Gefahren entstehen.
- Die Teile des Produkts können scharfe Oberflächen haben. Tragen Sie bei der Installation Schutzhandschuhe.

- Es besteht die Gefahr des Fallens, wenn das Produkt nicht ausreichend befestigt ist. Stellen Sie sicher, dass alle Befestigungen sicher befestigt sind.
- Die Breite der Dunstabzugshaube sollte mindestens der Breite Ihres Kochfelds entsprechen.
- Die Abmessungen in den Installationsdiagrammen sind in mm angegeben.
- Die aus der Dunstabzugshaube austretende Luft darf nicht in einen Schornstein geleitet werden, der von anderen Geräten verwendet wird, die Gas oder andere Brennstoffe verbrennen. (gilt nicht für Geräte, die Luft in den Raum zurückführen).
- Die Vorschriften zur Luftabsaugung sind einzuhalten.
- Wenn die Aluminiumfilter (Öl) nicht regelmäßig gereinigt und gewartet werden und der Kohlefilter nicht ausgetauscht wird, auch wenn dessen Nutzungsdauer abgelaufen ist (nach ungefähr vier Monaten), besteht Brandgefahr.

Installation des Geräts

Diese Installationsanleitung beschreibt zwei unterschiedliche Installationsmöglichkeiten, basierend auf den Rauchabzugstyp.

Sie können die für Ihr Haus geeignete Installationsmethode bestimmen und die folgenden Installationsschritte befolgen.

- 1- Installation mit Rauchabzug – die angesaugte Luft wird über einen Rauchabzug ins Freie geleitet;
- 2- Installation mit Kohlefilter, bei der die angesaugte Luft durch einen Kohlefilter in den Innenraum geleitet wird

Produktabmessungen und

Sicherheitsmaße (Abbildung 1-2)

- Achten Sie auf die Produktabmessungen. Berücksichtigen Sie die Eignung für Ihre Möbel. (Abbildung 1)
- Die Höhe zwischen der Unterseite Ihrer Dunstabzugshaube und der Oberseite **des Kochfelds sollte mindestens 650 mm bei Gasherde und 650 mm bei Elektroherde betragen.** (Abbildung 2)

Die Inspektion und Vorbereitung der Wand für die Installation

- Die Wand, an der das Gerät installiert werden soll, sollte in der Lage sein, das Gerät aufrecht und in einer flachen Position zu tragen. **13**