



Microwave Oven

User Manual



MOC 20100 W1

EN - AR

CONTENTS

1 Important safety and environmental instructions 4

1.1 Safety warnings	4
1.2 Compliance with the WEEE Directive and Disposing of the Waste Product: 10	
1.3 Compliance with RoHS Directive. 10	
1.4 Package information.....	10
1.5 Plug Wiring	11

2 Your microwave oven 12

2.1 Overview	12
2.2 Technical data	12
2.3 Installing the turntable.....	13

3 Installation and connection 14

3.1 Installation.....	14
3.2 Radio interference	14
3.3 Microwave cooking principles.....	14
3.4 Grounding instructions.....	15
3.5 Utensils guide	15

4 Operation 16

4.1 Control panel	16
4.2 Operation.....	16

5 Cleaning and care 17

5.1 Cleaning and care	17
5.2 Storage.....	18
5.3 Handling and transportation	18

6 Troubleshooting 18

Please read this user manual first!

Dear Valued Customer,

Thank you for preferring this Beko appliance. We hope that you get the best results from your appliance which has been manufactured with high quality and state-of-the-art technology. For this reason, please read this entire user manual and all other accompanying documents carefully before using the appliance and keep it as a reference for future use. If you handover the appliance to someone else, give the user manual as well. Follow the instructions by paying attention to all the information and warnings in the user manual.


Remember that this user manual may also apply to other models. Differences between models are explicitly described in the manual.


Meanings of the Symbols

Following symbols are used in various sections of this user manual:

	Important information and useful hints about usage.
--	---

	Warnings for dangerous situations concerning the safety of life and property.
--	---

	Warning for electric shock.
---	-----------------------------

	Warning for hot surfaces.
--	---------------------------

1 Important safety and environmental instructions

Important Safety Instructions Read Carefully And Keep For Future Reference

1.1 Safety warnings

This section contains safety instructions that will help protect from risk of fire, electric shock, exposure to leak microwave energy, personal injury or property damage. Failure to follow these instructions shall void any warranty.

- Beko Microwave Ovens comply with the applicable safety standards; therefore, in case of any damage on the appliance or power cable, it should be repaired or replaced by the dealer, service center or a specialist and authorized service alike to avoid any danger. Faulty or unqualified repair work may be dangerous and cause risk to the user.
- This appliance is intended to be used in household and similar applications such as:
 - Staff kitchen areas in shops, offices and other working environments;
 - Farm houses
 - By clients in hotels, motels and other residential type environments;
 - Bed and Breakfast type environments.
- Microwave oven is intended used freestanding.
- It is not intended for industrial or laboratory use.
- Do not attempt to start the oven when its door is open; otherwise you may be exposed to harmful microwave energy. Safety locks should not be disabled or tampered with.
- The microwave oven is intended for heating food and beverages. Drying of food or clothing and heating of warming pads, slippers, sponges, damp cloth and similar may lead to risk of injury, ignition or fire.

1 Important safety and environmental instructions

- Do not place any object between the front side and the door of the oven. Do not allow dirt or cleaning agent remnants to build up on the closure surfaces.
- Any service works involving removal of the cover that provides protection against exposure to microwave energy must be performed by authorized persons/service. Any other approach is dangerous.
- Your product is intended for cooking, heating and defrost food at home. It must not be used for commercial purposes.
- Your oven is not designed to dry any living being.
- Do not use your appliance to dry clothes or kitchen towels.
- Do not use this appliance outdoors, bathrooms, humid environments or in places where the it can get wet.
- No responsibility or warranty claim shall be assumed for damages arising from misuse or improper handling of the appliance.
- Never attempt to dismantle the appliance. No warranty claims are accepted for damage caused by improper handling.
- Only use the original parts or parts recommended by the manufacturer.
- Do not leave this appliance unattended while it is in use.
- Always use the appliance on a stable, flat, clean dry, and non-slip surface.
- The appliance should not be operated with an external clock timer or separate remote control system.
- Before using the appliance for the first time, clean all parts. Please see the details given in the "Cleaning and Care" section.
- Operate the appliance for

1 Important safety and environmental instructions

its intended purpose only as described in this manual.

- Appliance becomes very hot while it is in use. Pay attention not to touch the hot parts inside the oven.
- Do not operate the oven empty.
- Cooking utensil may get hot due to the heat transferred from the heated food to the utensil. You may need oven gloves to hold the utensil.
- Utensils shall be checked to ensure that they are suitable for use in microwave ovens.
- Do not place the oven on stoves or other heat generating appliances. Otherwise, it may be damaged and the warranty becomes void.
- Steam may come out while opening the covers or the foil after cooking the food.
- The appliance and its accessible surfaces may be very hot when the appliance is in use.
- Door and outer glass may be very hot when the appliance is in use.
- Make sure that your mains power supply complies with the information supplied on the rating plate of the appliance.
- The only way to disconnect the appliance from the power supply is to remove the power plug from the power outlet.
- Use the appliance with a grounded outlet only.
- Never use the appliance if the power cable or the appliance itself is damaged.
- Do not use this appliance with an extension cord.
- Never touch the appliance or its plug with damp or wet hands.
- Place the appliance in a way so that the plug is always accessible.
- Prevent damage to

1 Important safety and environmental instructions

the power cable by not squeezing, bending, or rubbing it on sharp edges. Keep the power cable away from hot surfaces and naked flame.

- Make sure that there is no danger that the power cable could be accidentally pulled or that someone could trip over it when the appliance is in use.
- Unplug the appliance before each cleaning and when the appliance is not in use.
- Do not pull the power cable of the appliance to disconnect it from its power supply and never wrap its power cable around the appliance.
- Do not immerse the appliance, power cable, or power plug in water or any other liquids. Do not hold it under running water.
- When heating food in plastic or paper containers, keep an eye on the oven due to the possibility of ignition.
- Remove the wire strings and/or metal handles of paper or plastic bags before placing bags to the oven.
- If smoke is observed, switch off or unplug the appliance if safe to do so and keep the door closed in order to stifle any flames.
- Do not use microwave oven for storage. Do not leave paper items, cooking material or food inside the oven when it is not being used.
- The contents of feeding bottles and baby food jars should be stirred or shaken and the temperature checked before consumption, in order to avoid burns.
- This appliance is a Group 2 Class B ISM equipment. Group 2 contains all ISM (Industrial, Scientific and

1 Important safety and environmental instructions

Medical) equipment in which radio-frequency energy is intentionally generated and/or used in the form of electromagnetic radiation for the treatment of material, and spark erosion equipment.

- Class B equipment is suitable for use in domestic establishments and establishments directly connected to a low voltage power supply network.
- Do not use cooking oil in the oven. Hot oil may damage the components and materials of the oven, and it may even cause skin burns.
- Pierce food with thick crust such as potatoes, courgettes, apples and chestnuts.
- Appliance must be placed so that the rear side is facing the wall.
- Before moving the appliance, please secure the turntable to prevent dam-

age.

- Eggs in their shell and whole hard-boiled eggs must not be heated in microwave ovens since they may explode, even after microwave heating has ended.

WARNING: If the door or door seals are damaged, the oven must not be operated until it has been repaired by a competent person.

WARNING: It is hazardous for anyone other than a competent person to carry out any service or repair operation which involves the removal of a cover which gives protection against exposure to microwave energy.

WARNING: Liquids and other foods must not be heated in sealed containers since they are liable to explode.

- The oven should be cleaned regularly and any food deposits removed.
- There should be min 30 cm free space above the top surface of the oven.

1 Important safety and environmental instructions

- Do not over-cook foods; otherwise, you may cause a fire.
- Do not use chemicals and steam assisted cleaners to clean the appliance.
- Extreme caution is advised when being used near children and persons who are restricted in their physical, sensory or mental abilities.
- This appliance can be used by the children who are at the age of 8 or over and by the people who have limited physical, sensory or mental capacity or who do not have knowledge and experience, as long as they are supervised with regard to safe use of the product or they are instructed accordingly or understand the risks of using the product. Children should not play with the appliance. Cleaning and user maintenance shall not be made by children unless they are older than 8 and supervised.
- **Danger of choking!** Keep all the packaging materials away from children.
- Keep the product and its power cable so that they are inaccessible by children under 8 years old.
- Do not cook food directly on the glass tray. Put the food in / on appropriate kitchen utensils before placing them in the oven.
- Metallic containers for food and beverages are not allowed during microwave cooking. Otherwise, sparking may occur.
- This product is not designed to be built-in. Do not place the product in a cabinet or box while it is in use.
- Failure to maintain the oven in a clean condition could lead to deterioration of the surface that could adversely affect the life of the appliance and possibly result in a hazardous situation.

1 Important safety and environmental instructions

- The appliance shall not be cleaned with a steam cleaner.
- Microwave heating of beverages can result in delayed eruptive boiling, therefore care must be taken when handling the container.
- **WARNING:** When the appliance is operated in the combination mode, children should only use the oven under adult supervision due to the temperatures generated.
- **Cleaning:** Do not place the appliance in water or other liquids. Clean the housing only with a sponge/cloth moistened in warm, soapy water. Do not use harsh, abrasive cleaners. See for the **Cleaning and care** and **Storage** detailed cleaning instructions.

1.2 Compliance with the WEEE Directive and Disposing of the Waste Product:

This product complies with EU WEEE Directive (2012/19/EU). This product

bears a classification symbol for waste electrical and electronic equipment (WEEE).



This symbol indicates that this product shall not be disposed with other household wastes at the end of its service life. Used device must be returned to official collection point for recycling of electrical and electronic devices. To find these collection systems please contact to your local authorities or retailer where the product was purchased. Each household performs important role in recovering and recycling of old appliance. Appropriate disposal of used appliance helps prevent potential negative consequences for the environment and human health.

1.3 Compliance with RoHS Directive

The product you have purchased complies with EU RoHS Directive (2011/65/EU). It does not contain harmful and prohibited materials specified in the Directive.

1.4 Package information



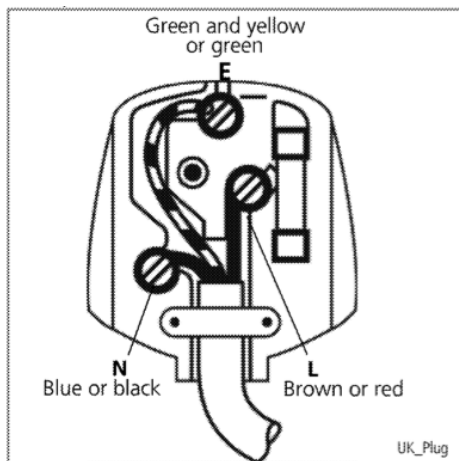
Packaging materials of the product are manufactured from recyclable materials in accordance with our National Environment Regulations. Do not dispose of the packaging materials together with the domestic or other wastes. Take them to the packaging material collection points designated by the local authorities.

1.5 Plug Wiring

The moulded plug on this appliance incorporates a 13 A fuse. Should the fuse need to be replaced an ASTA approved BS1362 fuse of the same rating must be used. Do not forget to refit the fuse cover. In the event of losing the fuse cover, the plug must not be used until a replacement fuse cover has been fitted. Colour of the replacement fuse cover must be the same colour as that visible on the pin face of the plug. Fuse covers are available from any good electrical store.

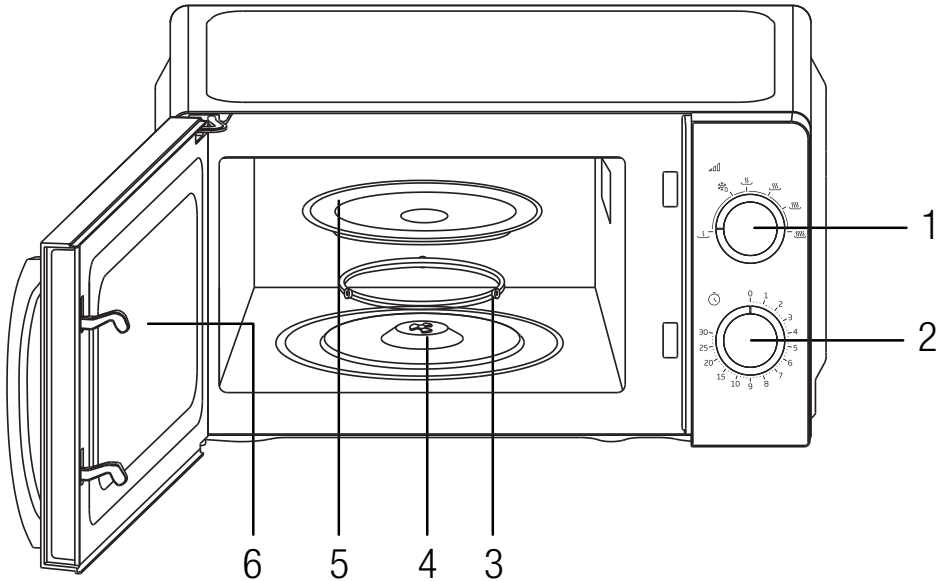
• Fiting a different plug

- As the colours of the wires in the mains lead of this appliance may not correspond with the coloured markings identifying the terminals on your plug, proceed as follows:
- Brown cable = L (Live)
- Blue cable = N (Neutral)
- Green/yellow cable must be connected to ground (E) \equiv line
- With the alternative plugs a 13 A fuse must be fitted either in the plug or adaptore or in the main fuse box. If in doubt contact a qualified electrician.



2 Your microwave oven

2.1 Overview



Controls and parts

1. Power knob
2. Timer knob
3. Roller ring
4. Shaft
5. Glass tray
6. Oven window

2.2 Technical data

Rated Voltage	230-240V~,50Hz
Rated Input	1100W
Rated Output	700W
Microwave frequency	2450MHz
Microwave power level	6
Outside dimensions (H*W*D) mm	243*446*353 mm
Glass turntable	245 mm
Oven capacity	20 L
Net weight	9.4 kg

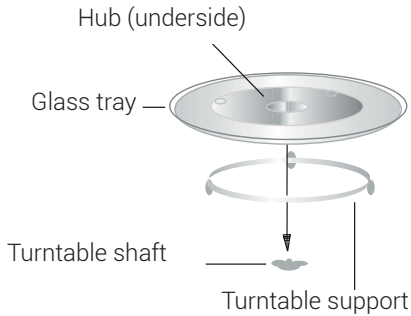
Technical and design modification rights are reserved.

Markings on the appliance or the values stated in other documents supplied with the product are values obtained under laboratory conditions as per relevant standards. These values may vary according to the usage of the appliance and ambient conditions.

2 Your microwave oven

2.3 Installing the turntable

- Never place the glass tray upside down. The glass tray should never be restricted.
- Both glass tray and turntable support must always be used during cooking.
- All food and containers of food must always place on the glass tray for cooking.
- If glass tray or turntable support crack or break, contact your nearest authorized service center.



3 Installation and connection

3.1 Installation

1. Make sure that all the packing materials are removed from the inside of the door.



WARNING: Check the oven for any damage, such as misaligned or bent door, damaged door seals and sealing surface, broken or loose door hinges and latches and dents inside the cavity or on the door. If there is any damage, do not operate the oven and contact qualified service personnel.

2. This microwave oven must be placed on a flat, stable surface to hold its weight and the heaviest food likely to be cooked in the oven.
3. Do not place the oven where heat, moisture, or high humidity are generated, or near combustible materials.
4. For correct operation, the oven must have sufficient airflow. Allow 20 cm of space above the oven, 10 cm at back and 5 cm at both sides. Do not cover or block any openings on the appliance. Do not remove feet.
5. Do not operate the oven without glass tray, roller support, and shaft in their proper positions.
6. Make sure that the power supply cord is undamaged and does not run under the oven or over any hot or sharp surface.
7. The socket must be readily accessible so that it can be easily unplugged in an emergency.
8. Do not use the oven outdoors.

3.2 Radio interference

Operation of the microwave oven can cause interference to your radio, TV, or similar equipment.

When there is interference, it may be reduced or eliminated by taking the following measures:

1. Clean door and sealing surface of the oven.
2. Reorient the receiving antenna of radio or television.
3. Relocate the microwave oven with respect to the receiver.
4. Move the microwave oven away from the receiver.
5. Plug the microwave oven into a different outlet so that microwave oven and receiver are on different branch circuits.

3.3 Microwave cooking principles

1. Arrange food carefully. Place thickest areas towards outside of dish.
2. Watch cooking time. Cook for the shortest amount of time indicated and add more as needed. Food severely overcooked can smoke or ignite.
3. Cover foods while cooking. Covers prevent spattering and help foods to cook evenly.
4. Turn foods over once during microwave cooking to speed cooking of such foods as chicken and hamburgers. Large items like roasts must be turned over at least once.
5. Rearrange foods such as meatballs halfway through cooking both from top to bottom and from the center of the dish to the outside.

3 Installation and connection

3.4 Grounding instructions

This appliance must be grounded. This oven is equipped with a cord having a grounding wire with a grounding plug. It must be plugged into a wall receptacle that is properly installed and grounded. In the event of an electrical short circuit, grounding reduces risk of electric shock by providing an escape wire for the electric current. It is recommended that a separate circuit serving only the oven be provided. Using a high voltage is dangerous and may result in a fire or other accident causing oven damage.



WARNING: Improper use of the grounding plug can result in a risk of electric shock.



If you have any questions about the grounding or electrical instructions, consult a qualified electrician or service person.



Neither the manufacturer nor the dealer can accept any liability for damage to the oven or personal injury resulting from failure to observe the electrical connection procedures.

The wires in this cable main are colored in accordance with the following code:

Green and Yellow = EARTH

Blue = NEUTRAL

Brown = LIVE

3.5 Utensils guide

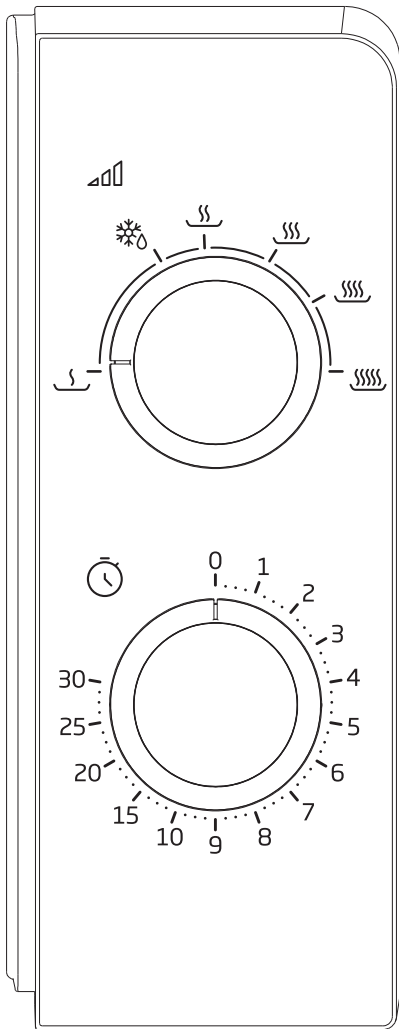
1. Microwave cannot penetrate metal. Only use utensils that are suitable for use in microwave ovens. Metallic containers for food and beverages are not allowed during microwave cooking. This requirement is not applicable if the manufacturer specifies size and shape of metallic containers suitable for microwave cooking.
2. Microwave cannot penetrate metal, so metal utensils or dishes with metallic trim should not be used.
3. Do not use recycled paper products when microwave cooking, as they may contain small metal fragments which may cause sparks and/or fires.
4. Round /oval dishes rather than square/ oblong ones are recommend, as food in corners tends to overcook.
5. Narrow strips of aluminum foil may be used to prevent overcooking of exposed areas. But be careful don't use too much and keep a distance of 1 inch (2.54 cm) between foil and cavity.

The list below is a general guide to help you select the correct utensils.

Cookware	Microwave
Heat-Resistant Glass	Yes
Non Heat-Resistant Glass	No
Heat-Resistant Ceramics	Yes
Microwave-Safe Plastic Dish	Yes
Kitchen Paper	Yes
Metal Tray	No
Metal Rack	No
Aluminum Foil & Foil Containers	No

4 Operation

4.1 Control panel



The control panel consists of two function operators. One is a timer knob, and another a power knob.

Power knob

You use this power knob to choose a cooking power level. It is the first step to start a cooking session.

Timer knob

Offer visual timing settings at easy turn of your thumb to select a desired cooking time up to 30 minutes per cooking session.

Microwave cooking

For pure microwave cooking, there are six power levels from which to choose one as best fit to do the job at hand.

Power level increases with the knob turning clockwise. The power levels can be classified as the following:

	Power output	Description
1	100%	High
2	88%	M. High
3	73%	Med
4	52%	M. Low
5	42%	Defrost
6	20%	Low

4.2 Operation

To start a cooking session,

1. Place food in oven and close the door.
2. Turn power knob (1) to select a power level.
3. Use timer knob (2) to set a cooking time



As soon as the timer is turned, oven starts cooking. When selecting time for less than 2 minutes, turn timer past 2 minutes and then return to the correct time.

4 Operation



CAUTION: Always return timer back to zero position if food is removed from oven before the set cooking time is complete or when oven is not in use. To stop oven during cooking process, push the door release button or open the door by the handle.

5 Cleaning and care

5.1 Cleaning and care



WARNING: Never use gasoline, solvent, abrasive cleaning agents, metal objects or hard brushes to clean the appliance.



WARNING: Never immerse the appliance or its power cable in water or in any other liquid.

1. Turn off the oven and remove the power plug from the wall socket before cleaning.
2. Wait for the appliance to completely cool down.
3. Keep the inside of the oven clean. When food splatters or spilled liquids adhere to oven walls, wipe with a damp cloth. Mild detergent may be used if the oven gets very dirty. Avoid the use of spray and other harsh cleaners as they may stain, streak or dull the door surface.
4. The outside surfaces should be cleaned with a damp cloth. To prevent damage to the operating parts inside the oven, water should not be allowed to seep into the ventilation openings.
5. Wipe the both sides of the door and window, the door seals and adjacent parts frequently with a damp cloth to remove any spills or splatters. Do not use abrasive cleaner.
6. A steam cleaner is not be used.
7. Do not allow the control panel to become wet. Clean with a soft, damp cloth. When cleaning the control panel, leave oven door open to prevent oven from accidentally turning on.
8. If steam accumulates inside or around the outside of the oven door, wipe with a soft cloth. This may occur when the microwave oven is operated under high humidity condition. And it is normal.
9. It is occasionally necessary to remove the glass tray for cleaning. Wash the tray in warm sudsy water or in a dishwasher.
10. The roller ring and oven floor should be cleaned regularly to avoid excessive noise. Simply wipe the bottom surface of the oven with mild detergent. The roller ring may be washed in mild sudsy water or dishwasher. When removing the roller ring from cavity floor for cleaning, be sure to

5 Cleaning and care

replace in the proper position.

11. Remove odors from your oven by combining a cup of water with the juice and skin of one lemon in a deep microwaveable bowl, microwave for 5 minutes. Wipe thoroughly and dry with a soft cloth.
12. When it becomes necessary to replace the oven light, please consult a dealer to have it replaced.
13. Please do not dispose this appliance into the domestic rubbish bin; it should be disposed to the particular disposal center provided by the municipalities.
14. When the microwave oven with grill function is first used, it may produce slight smoke and smell. This is a normal phenomenon because the oven is made of a steel plate coated with lubricating oil, and the new oven will produce fumes and odor generated by burning the lubricating oil. This phenomenon will disappear after a period of using.

5.2 Storage

- If you do not intend to use the appliance for a long time, please store it carefully.
- Please make sure that the appliance is unplugged, cooled down and totally dry.
- Store the appliance in a cool and dry place.
- Keep the appliance out of the reach of children.

5.3 Handling and transportation

- During handling and transportation, carry the appliance in its original packaging. The packaging of the appliance protects it against physical damages.
- Do not place heavy loads on the appliance or the packaging. The appliance may be damaged.
- Dropping the appliance will render it non-operational or cause permanent damage.

6 Troubleshooting

Problem	Possible solution
If the oven fails to operate	Check to ensure that the oven is plugged in securely. If it is not, remove the plug from the outlet, wait 10 seconds, and plug it in again securely.
	Check for a blown circuit fuse or a tripped main circuit breaker. If these seem to be operating properly, test the outlet with another appliance.
	Check to ensure that the control panel is programmed correctly and the timer is set.
	Check to ensure that the door is securely closed engaging the door safety lock system. Otherwise, the microwave energy will not flow into the oven.
If none of the above rectifies the situation, then contact a qualified technician. Do not try to adjust or repair the oven yourself.	

Product Guarantee

12 months breakdown and repair guarantee

Guarantor: **Beko plc, 1 Greenhill Crescent, Watford, Hertfordshire. WD18 8UF**

The guarantee does not in any way diminish your statutory or legal rights.

Your **microwave** has the benefit of our manufacturer's guarantee which covers the product for 12 months from the date of original purchase.

This gives you reassurance that if within that time, your **microwave** is proven to be defective because of either workmanship or materials, we will at our discretion either repair or replace your **microwave**.

The **microwave** must be correctly installed, located and operated in accordance with the instructions contained in the user manual. The guarantor disclaims any liability for accidental or consequential damage.

The Guarantee is subject to the following conditions:

- Documentary proof of the original purchase date is provided.
- The microwave has been installed and operated correctly and in accordance with our operating and maintenance instructions.
- The microwave is used only on the electricity supply on the rating plate.
- The microwave has only been used for normal domestic purposes.
- The microwave has not been altered, serviced, dismantled or otherwise interfered with by any person.
- The microwave is used in the United Kingdom or Republic of Ireland.
- Any parts removed during repair work or any product that has been replaced becomes our property.
- The guarantee is not transferrable if the product is resold.

The Guarantee does not cover:

- Transit, installation or delivery damage.
- Accidental damage.
- Misuse or abuse.
- Replacement of any consumable item or accessories. These include but are not limited to: plugs, cables, light bulbs, knobs, filters and flaps.
- Repairs or replacements required as a result of unauthorised repairs or inexpert installation that fails to meet the requirements contained in the user guide or instruction book.
- Repairs to products used in commercial or non-residential household premises.

How to obtain after sales service, help or general advice

Please keep your purchase receipt or other proof of purchase in a safe place as you will need to show us this document if your product requires attention within the guarantee period.

Please also record your product details below, which will allow you to access our services more quickly and help us identify your product. The model number is printed on the front of the user guide and the serial and model number is shown on your products rating plate.

Model number	Serial number	Purchased from	Date of purchase

Please call our UK based Customer Service department if you need help or advice from us:

United Kingdom and Northern Ireland: **0333 207 9710**
Republic of Ireland: **01 862 3411**
You can also contact us through our website: **www.beko.co.uk**

Arçelik A.Ş.
Karaağaç Caddesi No: 2-6, 34445,
Sütlüce, İstanbul, Türkiye

www.beko.co.uk

- عليك تخزين الجهاز في مكان بارد وجاف.
- حافظ على الجهاز بعيداً عن متناول أيدي الأطفال

5.3 التعامل والنقل

- أثناء التعامل والنقل فقم بحمل الجهاز في عبوتها الأصلية. الهدف من عبوة تغليف الجهاز هو حمايته من أي أضرار مادية.
- لا تضع أحمالاً ثقيلة على الجهاز أو العبوة. يمكن أن يتعرض الجهاز للتلف.
- يؤدي إسقاط الجهاز إلى عدم صلاحيته للتشغيل أو يتسبب في إلحاق أضرار دائمة.

6 استكشاف الأعطال وإصلاحها

المشكلة	الحل المحتمل
إذا فشل تشغيل الفرن	تحقق للتأكد من توصيل الفرن بإحكام. إذا لم يكن كذلك، فقم بإزالة القابس من المقبس، وانتظر 10 ثوانٍ، وقم بتوصيله مرة أخرى بشكل آمن.
	تحقق من مصهر الدائرة الكهربائية أو قاطع الدائرة الرئيسي المعطل. إذا كان يعمل بشكل صحيح، فاختر المقبس بجهاز آخر.
	تحقق ضبط لوحة التحكم بشكل صحيح وضبط المؤقت.
	تحقق من أن الباب مغلق بإحكام من خلال تعشيق نظام قفل أمان الباب. بخلاف ذلك، لن تتدفق طاقة الميكروويف إلى الفرن.
إذا لم يصحح أي مما سبق حالة المنتج، فاتصل بفني مؤهل. لا تحاول ضبط الفرن أو إصلاحه بنفسك.	

5.1 التنظيف والعناية

8. في حالة تراكم البخار داخل أو على باب الفرن الخارجي، فقم بتجفيفه باستخدام قطعة قماش ناعمة. وقد يحدث ذلك عند تشغيل فرن المايكروويف في البيئات عالية الرطوبة. وهذا أمر طبيعي.

9. قد يكون من الضروري أحياناً إزالة الصنينة الزجاجية لتنظيفها. اغسل الصنينة بماء دافئ أو في غسالة الأواني.

10. ينبغي تنظيف حلقة الأسطوانة وسطح الفرن بشكل دوري لتجنب الضجيج الزائد. امسح السطح السفلي للفرن باستخدام محلول تنظيف معتدل. ويمكن غسيل حلقة الأسطوانة باستخدام ماء معتدل أو في غسالة الأواني. وعند إزالة حلقة الأسطوانة من أرضية التجويف لتنظيفها، تأكد من استرجاعها في المكان المناسب.

11. يمكنك إزالة الروائح من الفرن الخاص بك بوضع عصارة وقشرة ليمونة على كوب من الماء وسكبه في تجويف فرن المايكروويف وتشغيل الفرن لمدة خمس دقائق. عليك مسحه تماماً وتجفيفه بقطعة قماش ناعمة.

12. عندما تكمن الحاجة إلى استبدال مصباح الفرن، يرجى استشارة البائع لاستبداله.

13. يُرجى عدم التخلص من هذا الجهاز في سلة النفايات المحلية العادية؛ حيث ينبغي التخلص منه بنقله إلى مركز خاص لمثل هذه الأجهزة توفره البلديات.

14. عند استخدام فرن المايكروويف المزود بالشواية لأول مرة، فقد يصدر بعض الدخان والرائحة. وهذه ظاهرة طبيعية لأن الفرن مصنوع من لوح صلب مغطى بزيت التشحيم، وسيصدر الفرن الجديد أبخرة وروائح ناتجة عن حرق زيت التشحيم. ستختفي هذه الظاهرة بعد فترة من الاستخدام.

5.2 التخزين

- إذا لم تخطط لاستخدام الجهاز لفترة طويلة من الوقت، يرجى تخزينه بعناية.
- يرجى التأكد من نزع قابس الجهاز، وتركه ليبرد ويجف تماماً.

تحذير: لا تستخدم أبداً البنزين أو المذيبات أو عوامل التنظيف الكاشطة، ولا تستخدم منظفات كاشطة قاسية أو كاشطات معدنية حادة لتنظيف زجاج باب الفرن لأنها يمكن أن تخدش السطح، مما قد يؤدي إلى تهشم الزجاج.



تحذير: لا تغمر الجهاز أو كابل الطاقة الخاص به في الماء أو في أي سائل آخر.



1. قم بإيقاف تشغيل الفرن وافصل قابس التيار الكهربائي من مقبس الحائط قبل التنظيف.

2. انتظر حتى يبرد الجهاز تماماً.

3. عليك الحفاظ على داخل الفرن نظيفاً. عند التصاق الطعام المتناثر أو السوائل المسكوبة على جدران الفرن، فامسح ذلك باستخدام قطعة قماش رطبة. ويمكن استخدام منظف معتدل في حالة توسخ الفرن للغاية. ويحظر استخدام مواد الرش أو مواد التنظيف الخشنة حيث إنها قد تؤدي إلى تلطيخ أو تخطيط باب الفرن أو التسبب في جعل الباب باهتاً.

4. ينبغي تنظيف الأسطح الخارجية باستخدام قطعة قماش مبللة. لمنع تلف أجزاء التشغيل الموجودة داخل الفرن، يُحظر تسرب المياه إلى فتحات التهوية.

5. قم بتنظيف الباب والنافذة على جانبيهما وموانع تسرب الباب والأجزاء القريبة بشكل متكرر باستخدام قطعة قماش مبللة لإزالة الأطعمة أو المشروبات المنسكبة أو المتناثرة. لا تستخدم مواد التنظيف التي تسبب خدوش.

6. يحظر استخدام منظف يُصدر بخار.

7. لا تجعل لوحة التحكم مبتلة. امسحها بقطعة قماش مبللة ناعمة. عند تنظيف لوحة التحكم، اترك باب الفرن مفتوحاً لمنع تشغيل الفرن من غير قصد.

4.1 لوحة التحكم

دورة طهي.

الطهي في الميكروويف

للطهي في الميكروويف، هناك ستة مستويات للطاقة يمكن من خلالها اختيار المستوى الأفضل للقيام بالمهمة التي تقوم بها.

يزداد مستوى الطاقة مع دوران المقبض في اتجاه عقارب الساعة. يمكن تصنيف مستويات الطاقة على النحو التالي:

الوصف	إخراج الطاقة	
عالي	100%	1
متوسط عالي	88%	2
متوسط	73%	3
متوسط منخفض	52%	4
إذابة الجليد	42%	5
منخفض	20%	6

4.2 التشغيل

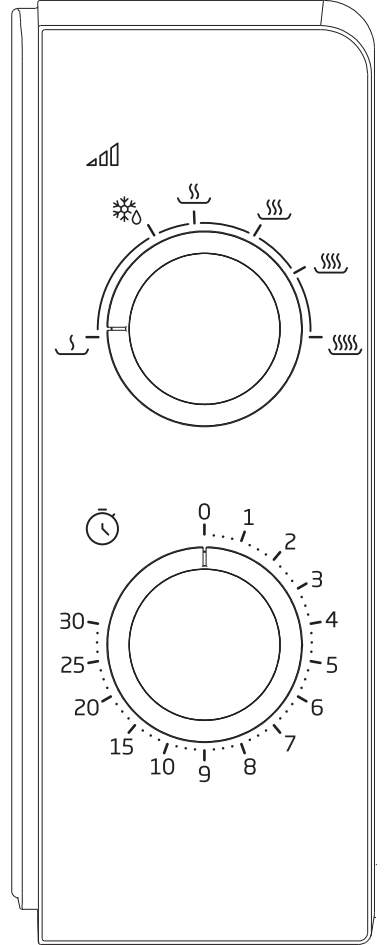
لبداء دورة طهي،

1. ضع الطعام في الفرن وأغلق الباب.
2. أدر مقبض الطاقة (1) لتحديد مستوى الطاقة.
3. استخدم مقبض المؤقت (2) لضبط وقت الطهي

بمجرد تشغيل المؤقت، يبدأ الفرن في الطهي. عند اختيار الوقت لأقل من دقيقتين، أدر المؤقت بعد دقيقتين ثم عد إلى الوقت الصحيح.



تشبيه: أعد المؤقت دائماً إلى وضع الصفر إذا تمت إزالة الطعام من الفرن قبل اكتمال وقت الطهي المحدد أو عندما لا يكون الفرن قيد الاستخدام. لإيقاف الفرن أثناء عملية الطهي، اضغط على زر تحرير الباب أو افتح الباب بواسطة المقبض.



تتكون لوحة التحكم من عاملين وظيفيين. أحدهما مقبض مؤقت والآخر مقبض طاقة.

مقبض الطاقة

يمكنك استخدام مقبض الطاقة هذا لاختيار مستوى طاقة الطهي. وتلك الخطوة الأولى لبداء دورة الطهي

مقبض المؤقت

أدخل إعدادات توقيت مرئية بتحريك إبهامك بسهولة لتحديد وقت الطهي المرغوب حتى 30 دقيقة لكل

تعد القائمة الواردة أدناه دليلاً عاماً لمساعدتك في اختيار الأواني الصحيحة.

الميكروويف	أدوات الطهي
نعم	زجاج مقاوم للحرارة
لا	زجاج غير مقاوم للحرارة
نعم	سيراميك مقاوم للحرارة
نعم	طبق بلاستيك آمن للاستخدام في الميكروويف
نعم	ورق مطبخ
لا	صينية معدنية
لا	رف معدني
لا	أوعية رقائق الألومنيوم

لا يمكن أن تتحمل الشركة المصنعة أو الموزع أي مسؤولية عن الأضرار التي تلحق بالفرن أو الإصابة الشخصية الناتجة عن عدم مراعاة إجراءات التوصيل الكهربائي.



تم تلوين الأسلاك الموجودة في هذا الكبل الرئيسي وفقاً للرمز التالي:

أخضر وأصفر = أرضي

أزرق = محايد

بني = حي

3.5 دليل الأدوات

1. لا يستطيع الميكروويف اختراق المعدن. استخدم فقط الأواني المناسبة للاستخدام في أفران الميكروويف. لا يُسمح بالعبوات المعدنية للأطعمة والمشروبات أثناء الطهي في الميكروويف. لا ينطبق هذا المطلب إذا حددت الشركة المصنعة حجم وشكل الحاويات المعدنية المناسبة للطهي في الميكروويف.

2. لا يمكن للميكروويف اختراق المعدن، لذلك يجب عدم استخدام الأواني المعدنية أو الأطباق ذات الزخارف المعدنية.

3. لا تستخدم المنتجات الورقية المعاد تدويرها عند الطهي في الميكروويف، لأنها قد تحتوي على شظايا معدنية صغيرة قد تسبب شرارات و / أو حرائق.

4. يوصى بالأطباق المستديرة / البيضاوية بدلاً من الأطباق المربعة / المستطيلة، لأن الطعام في الزوايا يميل إلى الإفراط في الطهي.

5. يمكن استخدام شرائح ضيقة من رقائق الألومنيوم لمنع الإفراط في الطهي في المناطق المكشوفة. لكن احذر من الإفراط في استخدام الورق واحتفظ بمسافة 1 بوصة (2.54 سم) بين القصدير والتجويف.

5. توصيل فرن الميكروويف بمنفذ مختلف بحيث يكون فرن الميكروويف وجهاز الاستقبال على دوائر فرعية مختلفة.

3.3 مبادئ الطهي في الميكروويف

1. رتب الطعام بعناية. ضع الأجزاء السمكية في اتجاه خارج الطبق.

2. راقب وقت الطهي. قم بالطهي لأقصر فترة زمنية محددة وأضف المزيد حسب الحاجة. يمكن للطعام المفرط في الطهي أن يدخن أو يشتعل.

3. قم بتغطية الأطعمة أثناء الطهي. الأغطية تمنع تناثر الطعام وتساعد على طهي الطعام بالتساوي.

4. اقلب الأطعمة مرة واحدة أثناء الطهي في الميكروويف لتسريع طهي الأطعمة مثل الدجاج والهامبرغر. يجب قلب العناصر الكبيرة مثل المشويات مرة واحدة على الأقل.

5. أعد ترتيب الأطعمة مثل كرات اللحم في منتصف عملية الطهي من الأعلى إلى الأسفل ومن منتصف الطبق إلى الخارج.

3.4 تعليمات التأريض

يجب تأريض هذا الجهاز. هذا الفرن مزود بكبل يحتوي على سلك تأريض وقابس تأريض. ويجب توصيله بمقبس حائط تم تركيبه وتأريضه بشكل صحيح. في حالة حدوث دائرة قصر كهربائية، فإن التأريض يقلل من خطر حدوث صدمة كهربائية من خلال توفير سلك خروج للتيار الكهربائي. يوصى بتوفير دائرة منفصلة تخدم الفرن فقط. يعد استخدام جهد عالٍ أمراً خطيراً وقد يؤدي إلى نشوب حريق أو حادث آخر يؤدي إلى تلف الفرن.

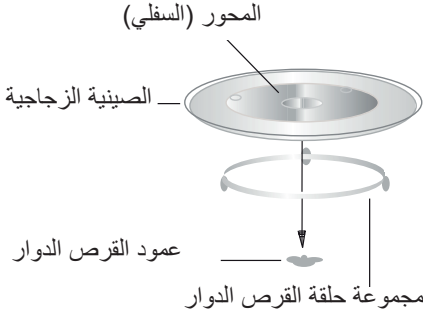
تحذير: قد يؤدي الاستخدام غير الصحيح لقياس التأريض إلى خطر التعرض لصدمة كهربائية.



إذا كانت لديك أي أسئلة حول تعليمات التأريض أو التعليمات الكهربائية، فاستشر فني كهربائي مؤهلاً أو مسؤول صيانة.



2 فرن الميكروويف خاصتك



- لا تضع الصينية الزجاجية مقلوبة أبدًا. يجب ألا يتم تقيد الصينية الزجاجية أبدًا.
- يجب دائمًا استخدام كل من الصينية الزجاجية ومجموعة حلقة القرص الدوار أثناء الطهي.
- يجب دائمًا وضع جميع الأطعمة وحاويات الطعام على صينية زجاجية للطهي.
- في حالة حدوث كسر أو تشقق في الصينية الزجاجية أو مجموعة حلقة القرص الدوار، اتصل بأقرب مركز خدمة معتمد.

3 التركيب والتوصيل

3.1 التركيب

1. تأكد من إزالة جميع مواد التغليف من داخل الباب.

5. لا تقم بتشغيل الفرن بدون وضع الصينية الزجاجية ودعامة القرص الدوار والعمود في مواضعها الصحيحة.

6. تأكد من أن سلك التيار الكهربائي غير تالف وغير متواجد تحت الفرن أو فوق أي سطح ساخن أو حاد.

7. يجب أن يكون المقبس سهل الوصول إليه بحيث يمكن فصله بسهولة في حالة الطوارئ.

8. لا تستخدم الفرن في الهواء الطلق.

3.2 تداخل موجات الراديو

يمكن أن يتسبب تشغيل فرن الميكروويف في حدوث تداخل مع الراديو، أو التلفزيون، أو الأجهزة المماثلة وعند وجود تداخل، فإنه يمكن تقليله أو القضاء عليه باتخاذ التدابير التالية:

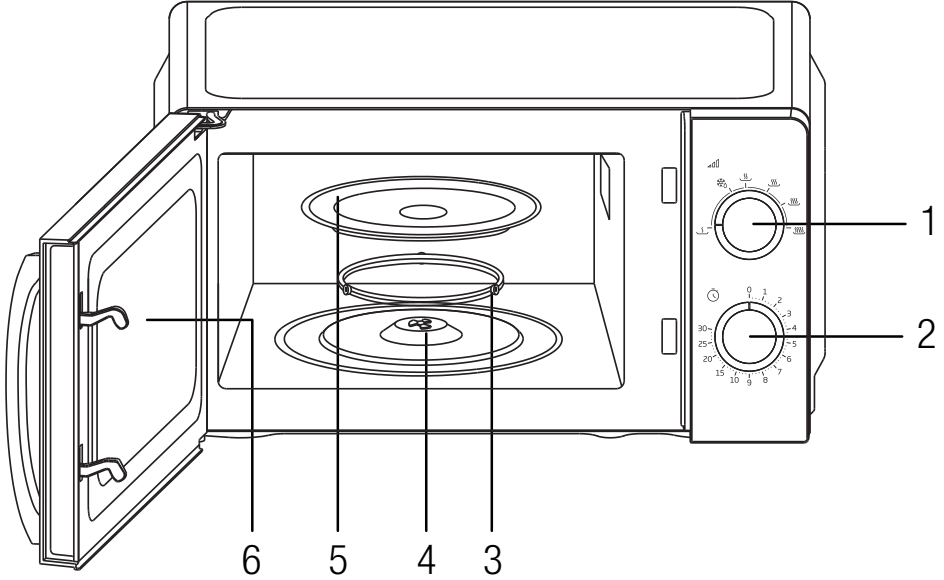
1. تنظيف باب الفرن وسطح إغلاق الفرن.
2. إعادة توجيه هوائي الاستقبال للراديو أو التلفزيون.
3. نقل فرن الميكروويف فيما يتعلق بجهاز الاستقبال.
4. نقل فرن الميكروويف بعيدًا عن جهاز الاستقبال.

تحذير: افحص الفرن بحثًا عن أي تلف، مثل تلف في الباب أو انحناء، وأختام الأبواب التالفة، وسطح الإغلاق، ومفصلات الأبواب المكسورة أو المفكوكة والمزالج والخدوش داخل التجويف أو على الباب. في حالة وجود أي تلف، لا تقم بتشغيل الفرن واتصل بأفراد الصيانة المؤهلين.



2. يجب وضع فرن الميكروويف هذا على سطح مستو وثابت ليحمل وزنه وأثقل طعام يمكن طهيه في الفرن.
3. لا تضع الفرن في مكان تتولد عنه حرارة أو رطوبة أو رطوبة عالية أو بالقرب من مواد قابلة للاحتراق.
4. للتشغيل الصحيح، يجب أن يكون للفرن تدفق هواء كافٍ. اترك مساحة 20 سم فوق الفرن و 10 سم في الخلف و 5 سم في كلا الجانبين. لا تقم بتغطية أو سد أي فتحات على الجهاز. لا تقم بإزالة الأقدام.

2.1 نظرة عامة



2.2 البيانات الفنية

الجهد المقدر	230-240 فولت ~ / 50 هرتز
الدخل المقدر	1100 واط
الخرج المقدر	700 واط
تردد الميكروويف	2450 ميغا هرتز
مستوى طاقة الميكروويف	6
الأبعاد الخارجية (الارتفاع * العرض * العمق) مم	243 * 446 * 353 مم
قرص دوار زجاجي	245 مم
سعة الفرن	20 ل
الوزن الصافي	9.4 كجم

عناصر التحكم والأجزاء

1. مقبض الطاقة
2. مقبض المؤقت
3. حلقة الأسطوانة
4. عمود
5. الصينية الزجاجية
6. نافذة الفرن

حقوق التعديلات الفنية والتصميم محفوظة.

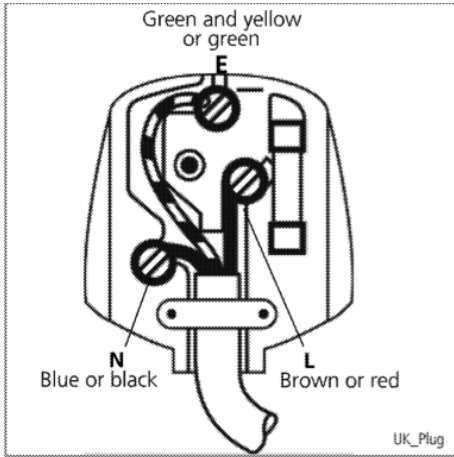
2.3 تركيب القرص الدوار

تعد العلامات الموجودة على الجهاز أو القيم المذكورة في المستندات الأخرى المرفقة مع المنتج قِيمًا تم الحصول عليها في ظل ظروف المختبر وفقًا للمعايير ذات الصلة. وقد تختلف هذه القيم وفقًا لاستخدام الجهاز والظروف المحيطة.

الصمام الكهربائي يجب استبداله بصمام كهربائي BS1362 بنفس الجهد. لا تنس إعادة ضبط غطاء الصمام الكهربائي. وفي حالة فقد غطاء الصمام الكهربائي، لا يجب استخدام القابس إلى أن يتم تركيب غطاء صمام كهربائي بديل. ينبغي أن يكون لون غطاء الصمام الكهربائي البديل هو نفس اللون الظاهر على وجه السنون لغطاء الصمام الكهربائي للقابس، وتتوافر الأغشية في جميع المتاجر الكهربائية.

• تركيب قابس مختلف

- حيث قد لا تتوافق ألوان الأسلاك في سلك التيار الرئيسي لهذا الجهاز مع ملصقات الألوان المحددة للأطراف في المقبس الخاص بك، نفذ ما يلي:
- كابل بني = L (موجب)
- كابل أزرق = N (محايد)
- يجب أن يكون الكابل الأخضر / الأصفر متصلاً بالخط الأرضي (E) ≡
- عند تركيب قوايس بديلة ينبغي أيضاً تركيب صمام كهربائي 13 أمبير أو محول كهربائي في صندوق الصمام الكهربائي الرئيسي. إذا كان لديك شك فتواصل مع فني كهربائي مؤهل.



1.2 الامتثال لتوجيه WEEE (نفايات الأجهزة الكهربائية والإلكترونية) والتخلص من نفايات المنتج:

يتوافق هذا المنتج مع توجيه نفايات الأجهزة الكهربائية والإلكترونية (EU/19/2012) للاتحاد الأوروبي. يحظى هذا المنتج بتصنيف رمز لنفايات الأجهزة الكهربائية والإلكترونية (WEEE).

يشير هذا الرمز إلى أنه ينبغي عدم التخلص من هذا المنتج مع النفايات المنزلية الأخرى في نهاية عمره التشغيلي. ينبغي إعادة الجهاز المستخدم إلى نقطة تجميع رسمية لإعادة تدوير الأجهزة الكهربائية والإلكترونية. للعثور على أنظمة التجميع هذه، يُرجى الاتصال بالهيئات المحلية المعنية لديك أو بائع التجزئة الذي اشترت منه المنتج. تؤدي كل أسرة دوراً مهماً في استعادة الأجهزة القديمة وإعادة تدويرها. ويساعد التخلص المناسب من الأجهزة المستخدمة في منع العواقب السلبية المحتملة على البيئة وصحة الإنسان.

1.3 الامتثال لتوجيه RoHS (الحد من المواد الخطرة)

يتوافق المنتج الذي اشترته مع توجيه الحد من المواد الخطرة (EU/65/2011) للاتحاد الأوروبي. فهو لا يحتوي على مواد ضارة ومحظورة محددة في التوجيه.

1.4 معلومات التعبئة والتغليف

صُنعت مواد تعبئة المنتج وتغليفه من مواد قابلة لإعادة التدوير وفقاً للوائح التنظيمية البيئية الوطنية المعمول بها لدينا. تجنب التخلص من مواد التعبئة والتغليف مع النفايات المنزلية أو النفايات الأخرى. بل سلمهم إلى نقاط تجميع مواد التعبئة والتغليف المحددة من قبل الهيئات المحلية.



1.5 توصيل القابس

يشتمل القابس المدمج في هذا الجهاز على صمام كهربائي 13 أمبير. في حالة الحاجة إلى استبدال

- قد يؤدي عدم الحفاظ على الفرن في حالة نظيفة إلى تدهور السطح ما قد يؤثر سلبيًا على عمر الجهاز وربما يؤدي إلى حدوث موقف خطير.
- يجب ألا يتم تنظيف الجهاز بمنظف بخار.
- يمكن أن يؤدي تسخين المشروبات بالميكروويف إلى الغليان الهائج المتأخر، لذلك يجب توخي الحذر عند التعامل مع الحاوية.
- **تحذير:** بينما يتم تشغيل الجهاز في وضع الدمج، يجب على الأطفال استخدام الفرن فقط تحت إشراف الكبار بسبب درجات الحرارة المتولدة.
- **التنظيف:** لا تضع الجهاز في الماء أو سوائل أخرى. نظف الهيكل فقط باستخدام قطعة إسفنج / قطعة قماش مبللة بالماء الدافئ والصابون. لا تستخدم المنظفات الخشنة الكاشطة. للحصول على تعليمات التنظيف بشكل مفصل، راجع **التنظيف والعناية و التخزين**.
- اللعب بالجهاز. يجب ألا يقوم الأطفال بإجراء التنظيف وصيانة المستخدم إلا إذا كانوا يبلغون من العمر أكبر من 8 سنوات ويخضعون للإشراف.
- **خطر الاختناق!** حافظ على جميع مواد التعبئة بعيداً عن الأطفال.
- بسبب الحرارة الزائدة التي تنشأ في أوضاع الشواية و الوضع المزدوج، لا يتم السماح للأطفال باستخدام هذه الأوضاع سوى تحت رقابة البالغين.
- عليك الاحتفاظ بالمنتج وكابل الطاقة بحيث لا يُمكن للأطفال بعمر أدنى من 8 سنوات الوصول إليهم.
- لا تطبخ الطعام مباشرة على الدرج الزجاجي. ضع الطعام في / على أواني المطبخ المناسبة قبل وضعها في الفرن.
- لا تستخدم أبداً حاويات معدنية لجميع عمليات الطهي والتسخين في منتجك. خلاف ذلك ، قد يحدث شرارة.
- هذا المنتج غير مصمم على أنه مدمج. لا تضع المنتج في خزانة أو صندوق أثناء التشغيل.
- أي تهاون في المحافظة على نظافة الفرن يمكن أن يؤدي إلى تلويث السطح، الأمر الذي يمكن أن يؤثر على العمر الافتراضي للجهاز وهو ما يمكن أن ينتج عنه مواقف خطيرة.
- يحظر استخدام منظف يُصدر بخار.

تحذير: من الخطر على أي إنسان غير ذلك الكفاء أن يقوم بتنفيذ أية مهمة صيانة أو إصلاح تتضمن خلع الغطاء الموفر للحماية من التعرض لطاقة المايكروويف.

تحذير: السوائل والأغذية الأخرى لا يجب أن يتم تسخينها في حاويات مبرشمة، حيث إنها تكون عرضة للانفجار.

• يجب تنظيف الفرن بانتظام مع إزالة أي بقايا أطعمة.

• يتعين أن تكون هناك مسافة 20 سم فراغ أعلى سطح الفرن.

• لا تطهو الأطعمة طهيًا زائدًا؛ وإلا قد تتسبب في حدوث حريق.

• لا تستخدم المنظفات البخار لتنظيف الجهاز.

• يوصى بتوخي الحذر البالغ عند استخدام الجهاز بالقرب من الأطفال أو الأفراد ذوي الإعاقة البدنية، أو الحسية، أو الذهنية.

• يمكن استخدام هذا الجهاز من خلال الأطفال الذين هم بعمر 8 أو أكبر ومن خلال الأشخاص الذين لديهم إعاقة بدنية، أو حسية، أو ذهنية، أو الذين ليس لديهم خبرة أو معرفة طالما أنهم يخضعوا لرقابة فيما يتعلق بسلامة استخدام المنتج أو يتم توجيههم وفقاً لذلك أو يفهمون مخاطر استخدام المنتج. لا يجوز للأطفال

جميع معدات ISM (الصناعية، والعلمية، والطبية) والتي تبتث طاقة ترددات راديو و/أو تستخدم في صورة إشعاع إلكترومغناطيسي لمعالجة المواد، أو آلات إصدار الشرارة.

• الآلات من الفئة B مُعدة للاستخدام في المرافق المنزلية والمرافق المتصلة بشكل مباشر مع شبكة مزود الطاقة منخفضة الجهد.

• لا تقم بشي أي شيء في الفرن. قد يؤدي الزيت الساخن إلى إتلاف مكونات ومواد الفرن، وقد يتسبب في حروق بالبشرة.

• عليك ثقب الطعام ذو القشرة السمكية مثل البطاطس، أو الكوسة، أو التفاح، أو الكستناء.

• يجب وضع الجهاز بحيث يواجه الجانب الخلفي له للحائط.

• قبل نقل الجهاز، يُرجى إحكام تثبيت القرص الدوار لمنع تلفه.

• لا يجب أن يتم تسخين البيض في قشره والبيض المسلوق بالكامل في أفران المايكروويف، حيث إنها يمكن أن تنفجر حتى بعد انتهاء فترة تسخين المايكروويف.

تحذير: إذا تلف الباب أو قفل الباب، لا يجب تشغيل الفرن حتى يقوم بإصلاحه شخص مؤهل.

- أثناء ما يكون الجهاز قيد الاستخدام، قد يكون الباب والزجاج الخارجي ساخنين للغاية.
- تأكد من توافق إمدادات الطاقة الخاصة بك مع المعلومات المقدمة على لوحة تصنيف الجهاز.
- الطريقة الوحيدة لفصل الجهاز من مصدر الطاقة هي نزع قابس الطاقة من منفذ الطاقة.
- لا تستخدم الجهاز سوى مع منفذ به طرف أرضي.
- لا تستخدم الجهاز إذا كان كابل الطاقة أو الجهاز به عطب.
- لا تستخدم هذا الجهاز مع كابل تمديد.
- لا تلمس الجهاز أبداً ويديك مبتلتان أو رطبتان.
- ضع الجهاز بطريقة يسهل من خلالها الوصول للقابس.
- قم بحماية كابل الطاقة من التلف وذلك بعدم الضغط عليه أو ثنيه أو حكه بالحواف الحادة. حافظ على كابل الطاقة بعيداً عن الأسطح الساخنة وأسننة اللهب.
- تأكد من عدم وجود خطر سحب كابل الطاقة مصادفة أو عدم إمكانية تعثر أحد به عندما يكون الجهاز قيد الاستخدام.
- انزع قابس الجهاز أثناء التنظيف وعند عدم استخدامه.
- لا تسحب كابل طاقة الجهاز لفصله عن مزود الطاقة، ولا تقم بلف كابل الطاقة حول الجهاز أبداً.
- لا تغمر الجهاز أو كابل الطاقة أو قابس الطاقة في المياه أو في أي سوائل أخرى. لا تحمل الجهاز تحت المياه الجارية.
- عند تسخين الطعام في حاويات بلاستيكية أو ورقية، عليك تفقد الفرن بشكل متكرر بسبب احتمالية الاشتعال.
- عليك إزالة سلاسل الأسلاك و/ أو المقابض المعدنية للأكياس الورقية أو البلاستيكية قبل وضع الأكياس المناسبة للاستخدام في فرن المايكروويف في الفرن.
- إذا لاحظت وجود أبخرة فأطفئ الجهاز أو افصله واحتفظ بالباب مغلقاً للتخلص من أي لهب.
- لا تستخدم داخل الفرن لتخزين أي شيء. لا تترك عناصر ورقية، أو مواد طهي، أو أطعمة بداخل الفرن عند عدم استخدامه.
- يجب رج محتويات زجاجات الرضاعة وبرطمانات أغذية الأطفال أو هزها ويجب فحص درجة الحرارة قبل الاستهلاك، وذلك لتجنب الحروق.
- هذا الجهاز من المجموعة 2 الفئة B ISM. تحتوي المجموعة 2 على

- قبل استخدام الجهاز للمرة الأولى، عليك تنظيف جميع الأجزاء. يرجى الإطلاع على التفاصيل في قسم "التنظيف والصيانة".
- لا يتم تشغيل الجهاز سوى للغرض المُعد من أجله فقط على النحو المحدد في هذا الدليل. لا تستخدم الكيماويات الكاشطة أو البخار على هذا الجهاز. هذا الفرن مُعد خصيصاً لتسخين وطهي الطعام.
- يصبح الجهاز ساخن للغاية أثناء ما يكون قيد الاستخدام. عليك الانتباه لعدم لمس الأجزاء الساخنة داخل الفرن.
- لا تقم بتشغيل الفرن وهو فارغ.
- قد تصبح أواني الطهي ساخنة بسبب الحرارة المنتقلة من الطعام الذي تم تسخينه إلى الأواني. قد تحتاج لفقازات الفرن لإمساك الأواني.
- يجب فحص الأواني للتأكد من تناسبها للاستخدام في أفران المايكروويف.
- لا تضع الفرن على الموقد أو أي أجهزة أخرى مولدة للحرارة. وإلا قد يتلف ويصبح الضمان لاغياً.
- قد يخرج البخار أثناء فتح الأغذية أو ورق القصدير بعد طهي الطعام.
- أثناء ما يكون الجهاز قيد الاستخدام، قد تكون الأسطح الظاهرة ساخنة جداً.
- التجمد للأطعمة في المنزل. لا تتحمل جهة التصنيع مسؤولية الأضرار الناشئة من إساءة الاستخدام. لا يجوز استخدامه لأغراض تجارية.
- الفرن غير مصمم لتجفيف أي كائنات حية.
- لا تستخدم جهازك لتجفيف الملابس أو أواني المطبخ.
- لا تستخدم هذا الجهاز خارج المنزل بالهواء الطلق، أو في الحمام، أو في البيئات الرطبة أو في الأماكن التي قد يصل إليه فيها الببل.
- لا نتحمل أي مسؤولية أو مطالبات بالضمان عن التلفيات التي تنشأ من إساءة الاستخدام أو المناولة غير المناسبة للجهاز.
- لا تحاول أبداً فك الجهاز. لن يتم قبول أي دعاوى ضمان بسبب الأعطال الناتجة عن سوء الاستخدام.
- لا تستخدم سوى الأجزاء الأصلية التي توصي بها جهة التصنيع.
- لا تترك الجهاز بدون رقابة طالما أنه قيد الاستخدام.
- عليك دائماً استخدام الجهاز على سطح مستقر، ومستو، ونظيف، وجاف وغير منزلق.
- لا يجب تشغيل الجهاز مع مؤقت ساعة خارجي أو نظام تحكم عن بعد منفصل.

- الفنادق أو المولات التجارية أو بيئات أنواع الإقامة الأخرى؛
- في غرف النوم وبيئات الإفطار
- تم تصميم فرن الميكروويف لاستخدامه بشكل مستقل.
- هو غير مُعد للاستخدامات الصناعية أو المعملية.
- لا تحاول بدء تشغيل الفرن عندما يكون باب الفرن مفتوحاً؛ وإلا قد تتعرض لطاقة مايكروويف ضارة.
- لا يجب تعطيل أقفال السلامة أو التلاعب بها.

- فرن المايكروويف مُعد لغرض تسخين الطعام والمشروبات. أعمال تجفيف الأغذية أو الملابس أو تسخين وسائل التدفئة والشيشاب والاسفنج والماناديل المبللة وما شابه يمكن أن تؤدي إلى وقوع مخاطر الإصابات أو الاشتعال أو إضرار حريق.
- عليك عدم اللعب بأي أجسام بين الجانب الأمامي وباب الفرن. لا تسمح للأتربة أو بقايا مواد التنظيف بالتراكم على أسطح الإغلاق.
- أي أعمال صيانة تتطلب إزالة الغطاء الذي يوفر الحماية ضد التعرض لطاقة الميكروويف لابد وأن لا يتم إجراؤها سوى من خلال الأشخاص/ فنيي الخدمة المعتمدين. وأي طريقة أخرى للقيام بذلك تمثل خطورة بالغة.
- جهازك مُعد للطهي، والتسخين، وفك

احرص على السلامة الهامة تعليمات واحتفظ بها للرجوع إليها في المستقبل

يحتوي هذا القسم على تعليمات السلامة التي ستساعدك على الحماية من مخاطر الحريق، أو الصعق الكهربائي، أو التعرض لتسرب طاقة الميكروويف، وتجنب خطر إصابة الأفراد أو الإضرار بالمتنكات. عدم اتباع هذه التعليمات من شأنه إلغاء الضمان.

1.1 السلامة العامة

- تتوافق أفران ميكروويف Beko مع معايير السلامة المعمول بها، وبالتالي، في حالة حدوث أي ضرر بالجهاز أو كابل الطاقة، يجب إصلاحه أو استبداله من قبل التاجر أو مركز الخدمة أو أحد المتخصصين والمعتمدين على حد سواء، لتجنب حدوث أي خطر. فقد تتسبب أعمال الإصلاح الخاطئة أو غير المؤهلة في مخاطر على المستخدم.
- هذا الجهاز مُعد للاستخدام المنزلي وبعض التطبيقات المشابهة مثل:
 - مناطق المطابخ في المحلات والمقاهي وبيئات العمل الأخرى؛
 - بيوت المزارع؛
 - الاستخدام بواسطة العملاء في

يرجى قراءة دليل المُستخدِم هذا أولاً!

عملينا العزيز الغالي،

شكرًا لك على تفضيلك لجهاز Beko هذا. نأمل حصولك على أفضل النتائج من جهازك الذي صُنِعَ بجودة عالية وبأحدث التقنيات. ولهذا السبب، يرجى قراءة دليل المُستخدِم هذا بالكامل وجميع المستندات الأخرى المرفقة معه بعناية قبل استخدام الجهاز والاحتفاظ بهم كمرجع للاستخدام المستقبلي. ويرجى، في حالة إعطاء الجهاز لشخص آخر، منحه دليل المُستخدِم كذلك. اتبع التعليمات من خلال الانتباه إلى جميع المعلومات والتحذيرات الواردة في دليل المُستخدِم. تذكر أن دليل المُستخدِم هذا قد ينطبق أيضًا على الطرز الأخرى. وتوصف الاختلافات بين الطرز بوضوح في الدليل.

معاني الرموز

تُستخدَم الرموز التالية في أقسام مختلفة من دليل المُستخدِم هذا:

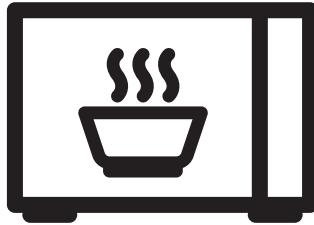
معلومات مهمة ونصائح مفيدة بخصوص الاستخدام.	
تحذير: تحذيرات من المواقف الخطرة المتعلقة بأمن الحياة والممتلكات.	
تحذير من خطر التعرض لصدمة كهربائية.	
تحذير أسطح ساخنة.	



4	1 تعليمات هامة للسلامة والبيئة
4.....	1.1 السلامة العامة.....
9	1.2 الامتثال لتوجيه WEEE (نفايات الأجهزة الكهربائية والإلكترونية) والتخلص من نفايات المنتج: 9
9.....	1.3 الامتثال لتوجيه RoHS (الحد من المواد الخطرة).....
9.....	1.4 معلومات التعبئة والتغليف.....
9.....	1.5 توصيل القابس.....
10	2 فرن الميكروويف خاصتك
10.....	2.1 نظرة عامة.....
10.....	2.2 البيانات الفنية.....
10.....	2.3 تركيب القرص الدوار.....
11	3 التركيب والتوصيل
11.....	3.1 التركيب.....
11.....	3.2 تداخل موجات الراديو.....
12.....	3.3 مبادئ الطهي في الميكروويف.....
12.....	3.4 تعليمات التأريض.....
12.....	3.5 دليل الأدوات.....
14	4 التشغيل
14.....	4.1 لوحة التحكم.....
14.....	4.2 التشغيل.....
15	5 التنظيف والصيانة
15.....	5.1 التنظيف والعناية.....
15.....	5.2 التخزين.....
16.....	5.3 التعامل والنقل.....
16	6 استكشاف الأعطال وإصلاحها

beko

فرن الميكروويف دليل المستخدم



MOC 20100 W1

AR