

# beko



**Cooker Hood**  
User Manual

CTB 6254 X

## Please read this user manual first!

Dear Customer,

Thank you for purchasing this Beko product. We hope that you get the best results from your product which has been manufactured with high quality and state-of-the-art technology. Therefore, please read this entire user manual and all other accompanying documents carefully before using the product and keep it as a reference for future use. If you handover the product to someone else, give the user manual as well. Follow all warnings and information in the user manual.

Remember that this user manual is also applicable for several other models. Differences between models will be identified in the manual.

### Explanation of symbols

Throughout this user manual the following symbols are used:



Important information or useful hints about usage.



Warning for hazardous situations with regard to life and property.



Warning for electric shock.



This product was manufactured using the latest technology in environmentally friendly conditions.

# TABLE OF CONTENTS

---

## **1 Important instructions for safety and environment 4-5**

---

- 1.1 General safety . . . . . 4
  - 1.1.1 Electrical safety . . . . . 4
  - 1.1.2 Product safety . . . . . 4
  - 1.1.3 Children's safety . . . . . 5
- 1.2 Intended use . . . . . 5
- 1.3 Compliance with WEEE Directive and disposing of the waste product . . . . . 5
- 1.4 Package information . . . . . 5

## **2 Technical specifications of your appliance 6**

---

## **3 Installing your appliance 7-10**

---

- 3.1 Electric connection . . . . . 9
- 3.2 Installation . . . . . 10
- 3.3 Fixing the hood to the lower part of the wall cabinet . . . . . 10
- 3.4 Extraction through an outside wall . . . . . 10
- 3.5 Recirculation . . . . . 10

## **4 Operating your appliance 11**

---

- 4.1 Use and maintenance . . . . . 11
- 4.2 Lighting . . . . . 13

## **5 Guarantee and Service 14**

---

# 1 Important instructions for safety and environment

This section contains safety instructions that will help protect from risk of personal injury or property damage. All warranties will become void if you do not follow these instructions.

## 1.1 General safety

- Always have the installation and repairing procedures carried out by the Authorised Service Agent. The manufacturer shall not be held responsible for damages arising from procedures carried out by unauthorised persons.
- This appliance is not intended for use by persons (including children) with reduced physical, sensory or mental capabilities, or lack of experience and knowledge. Children should be supervised to ensure that they do not play with the appliance.

### 1.1.1 Electrical safety

- Disconnect the product from the mains during installation, maintenance, cleaning and repairing procedures.
- If the power cable is damaged, it must be replaced by the manufacturer, after sales service or a similarly qualified person (preferably an electrician) or someone designated by the importer in order to avoid possible risks.
- Operating voltage is 220 to 240 volts.
- If the appliance has a failure, it should not be operated unless it is repaired by the Authorised Service Agent. There is the risk of electric shock!
- Do not route power cable close to hobs. Otherwise power cable may cause fire since it melts down easily.
- Never connect the hood before installation is completed.

- In order to obtain the best performance, external ducting must not be longer than 4 m. It must not contain more than 2 perpendicular (90°) angles and its diameter must be min.  $\varnothing$ 120 mm.
- Disconnect the appliance before any intervention to the internal parts of the appliance.

### 1.1.2 Product safety

- You can use a pipe with a diameter of 120 mm or 150 mm on the flue connection of the hood.
- Do not make connections to flues connected to stoves, exhaust shafts or flues with rising flames. Observe the rules set by authorities on the discharge of exhaust air.
- The height between the lower surface of the hood and upper surface of the cooker top should not be less than 65 cm.
- Do not operate the hood without aluminum filters and do not remove the filters while it is operated.
- Never touch the hood's lamp after long periods of operation, wait until it has cooled down. Hot lamps may burn your skin.
- Avoid big flames beneath the product. Otherwise, particles on oil filter may ignite and lead to a fire.
- Turn on the hobs after placing pans or pots on it. Otherwise, rising temperature may deform certain parts of your product.
- Turn off the hobs before taking away pans or pots.
- Avoid inflammable materials under the hood.
- Oil may ignite while frying foods. Therefore, be careful about cloths and curtains.
- Never leave the cooker unattended when frying foods; otherwise boiled oil may cause fire.

# 1 Important instructions for safety and environment

- There is the risk of fire if your hood is not cleaned in the specified periods.
- Be extremely careful and wear gloves when cleaning the hood.
- We advise you to operate the appliance a few minutes before starting to cook in order to increase the suction power. Thus, you shall have a continuous and stable suction power when the vapors arises.
- Operate your hood for 15 minutes more after the end of cooking or frying in order to remove smell cooking vapour in the kitchen.
- When the hood is in use, especially together with gas cookers, make sure that environment is ventilated with clean air.
- Pay attention not to connect the appliance to the flues used by non-electrical devices. (E.g.: Heater flue).
- When a non-electrical device is concurrently used in the same room together with the hood, the negative pressure in the room must be maximum 0.4 mbar in order to prevent hood from sucking other device's exhaust into the room.

## 1.1.3 Children's safety

- Packaging materials are dangerous to children. Keep packaging materials in a safe place out of reach of children.
- Electrical appliances are dangerous to children. Keep children away from the product. Do not allow children play with the appliance.

## 1.2 Intended use

- This appliance is intended for domestic use. It is not suitable for commercial use and it must not be used out of its intended use.
- The manufacturer shall not be liable for any damage caused by improper use or handling.

## 1.3 Compliance with WEEE regulation and disposal of the waste product



This product does not contain harmful and forbidden materials described in the "Directive on the Restriction of the Use of Certain Hazardous Substances in Waste Electrical and Electronic Equipment" (WEEE) issued by the T.R. Ministry of Environment and Urbanization.

Complies with the WEEE Directive.

This product has been manufactured with high quality parts and materials which can be reused and are suitable for recycling. Therefore, do not dispose the product with normal domestic waste at the end of its service life. Take it to a collection point for the recycling of electrical and electronic equipment. Please consult your local authorities to learn the nearest collection point. Help protect the environment and natural resources by recycling used products.

## 1.4 Package information



The product package is made of recyclable material as per the National Legislation. Do not dispose of the package waste together with the household waste or other waste and deliver them to the package collection points indicated by the local authority.

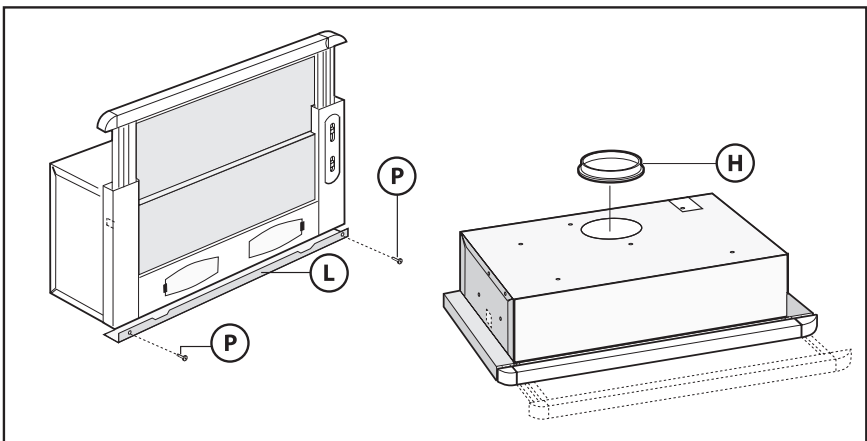
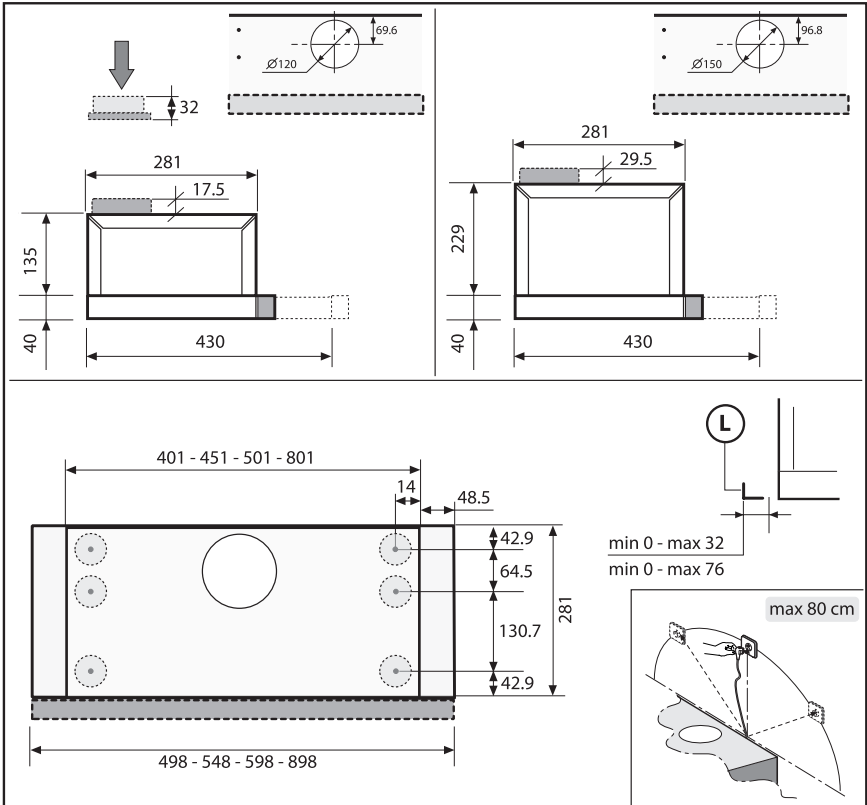
## 2 Technical specifications of your appliance

CTB 6254 X

Width	600 mm
Depth	175 mm
Height	281 mm
Supply voltage	220 - 240 V, 50 Hz
Control	With 3 levels
Lamp power	2 x 28 W
Air outlet pipe	120 - 150 mm
Motor power	150 W
Net weight	6.03 kg
Colour	Silver

Values stated on the product labels or in the documentation accompanying it are obtained in laboratory conditions in accordance with relevant standards. These values may vary depending on operational and environmental conditions of the product.

# 3 Installing your appliance



# 3 Installing your appliance

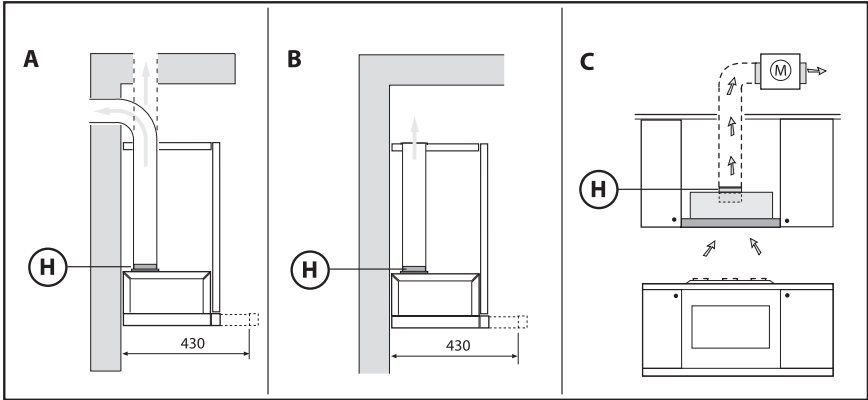


Fig.3

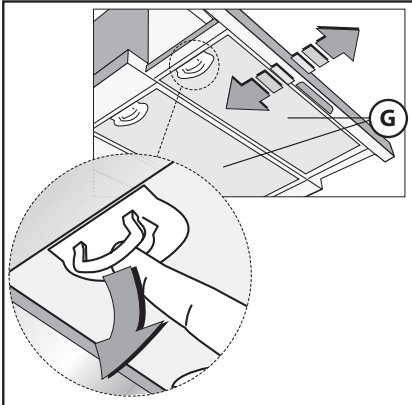


Fig.4

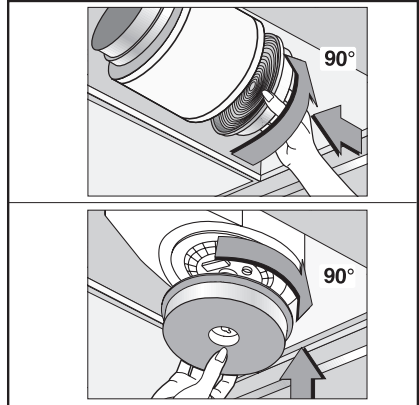


Fig.5

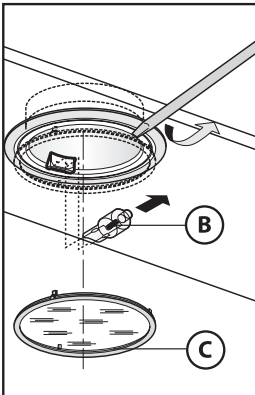


Fig.6

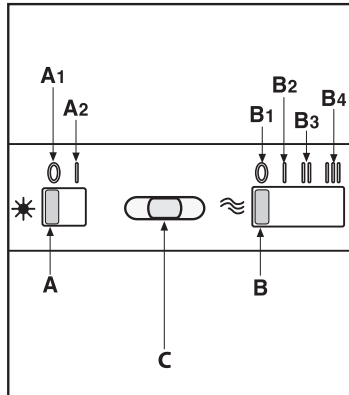


Fig.7

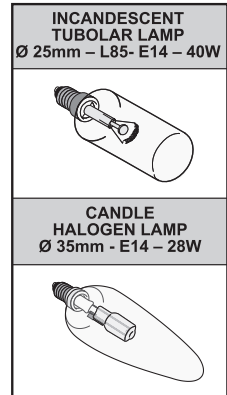


Fig.8



## 3 Installing your appliance

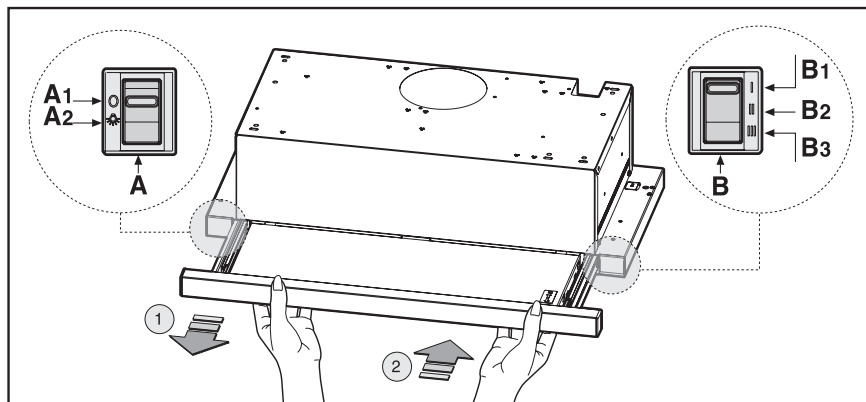


Fig.9

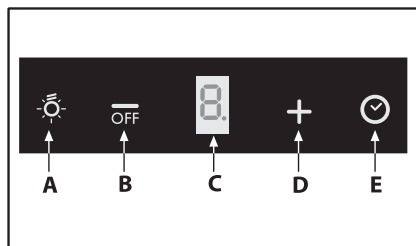


Fig.10

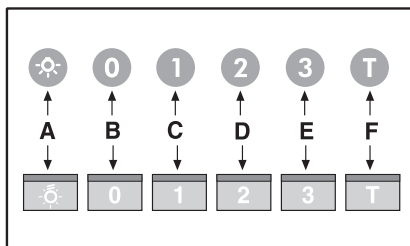


Fig.11

### 3.1 Electric connection

- The appliance has been manufactured as a class II, therefore no earth cable is necessary. The electrical connection point must be easily accessible after the installation of the appliance. A suitably dimensioned omnipolar switch with 3 mm minimum opening between contacts must be fitted between the appliance and the electricity supply in compliance with the load and current regulations.
- The connection to the mains is carried out as follows:

BROWN = **L** line  
 BLUE = **N** neutral.

- This device must be hardwired to the mains supply network by connecting to a single phase spur protected by a 3A fuse.
- The minimum distance between the support surfaces of the cooking pots on the cooker top and the lowest part of the cooker hood must be at least **65 cm**. If a connection tube composed of two parts is used, the upper part must be placed outside the lower part. Do not connect the cooker hood exhaust to the same conductor used to circulate hot air or for evacuating fumes from other appliances generated by other than an electrical source. Before proceeding with the assembly operations, remove the anti-grease filter(s) (Fig.4) so that the unit is easier to handle.

## 3 Installing your appliance

- In the case of assembly of the appliance in the suction version prepare the hole for evacuation of the air.
- We recommend the use of an air exhaust tube which has the same diameter as the air exhaust outlet hole. If a pipe with a smaller diameter is used, the efficiency of the product may be reduced and its operation may become noisier.
- If your appliance has been designed for use in habitations supplied with acentralised suction device perform the following operations:
- The switch controls opening and closure of a valve using a thermoelectrical device. By placing the switch in the **ON** position, after a minute, the valve opens rotating 90° allowing suction of the stale air. By placing the switch in the **OFF** position, the valve closes after 100 seconds.

### 3.2 Installation

The following instruction should be followed to carry out the correct installation of the cooker hood.

1. Mounting of the cooker hood on the lower side of the cupboard.
2. Selection of the version (extraction Fig.3A or filtration Fig.3B).

### 3.3 Fixing the hood to the lower part of the wall cabinet

This type of appliance must be fitted inside a cabinet or inside another type of support structure. To fix it in place, use 4 screws which are suitable for the type of cabinet, making holes in accordance with the diagram shown in (Fig.1). To fit the appliance correctly, align the front panel of the cooker hood with the cabinet door and adjust spacer **L** using screws **P** (Fig.2), then ensure the appliance meets the cabinet at the rear.

### 3.4 Extraction through an outside wall

The appliance expels the fumes through an outside wall or a duct. It is necessary to buy a telescopic pipe in accordance with the standards in use (inflammable) and connect it to flange **H** (Fig.3A).

### 3.5 Recirculation

To transform the cooker hood from the extraction version to the re circulating one fit the supplied activated carbon filter. The filter must be fitted to the extracting group cooker hood in the centre of the fan grille by twisting it by 90 degrees until it is gripped securely (Fig.5). For this operation remove the anti-grease filter(s) **G** (Fig.4). The clean air is returned into the room through a connecting tube passing inside the cupboard and connected to the ring **H** (Fig.3B).

## 4 Operating your appliance

### 4.1 Use and maintenance

- We recommend that the cooker hood is switched on before any food is cooked. We also recommend that the appliance is left running for 15 minutes after the food is cooked, in order to thoroughly eliminate all contaminated air. The effective performance of the cooker hood depends on constant maintenance; the anti-grease filter and the active carbon filter both require special attention.
- **The anti-grease filter** is responsible retaining the grease particles suspended in the air, therefore it is subject to clogging with variable frequency according to the use of the appliance.
  - To prevent the danger of possible fires, at least every 2 months one must wash the anti-grease filters by hand using non-abrasive neutral liquid detergents or in the dishwasher at low temperatures and on short cycles.
  - After a few washes, colour alterations may occur. This does not give the right to claim their replacement.
- **The active carbon filters** are used to purify the air that is sent back into the room and its function is to mitigate the unpleasant odours produced by cooking.
  - The non-regenerable active carbon filters must be replaced at least every 4 months. The saturation of the active charcoal depends on the more or less prolonged use of the appliance, on the type of kitchen and on the frequency with which anti-grease filter is cleaned.
- **Before remounting the anti-grease filters and the regenerable active charcoal filters it is important that they are completely dry.**

- **Clean the hood frequently, both internally and externally, using a cloth dampened with denatured alcohol or neutral liquid detergents that are non abrasive.**
- The lighting system is designed for use during cooking and not for the prolonged general lighting of the room. The prolonged use of the lighting system significantly decreases the average duration of the bulbs.
- If the appliance is equipped with courtesy lights it is possible to use them for general room lighting for a prolonged amount of time.



The non compliance with the hood cleaning warnings and with the replacement and cleaning of the filters entails risk of fires. Therefore recommends keeping to the suggested instructions.

### Replacing halogen light bulbs (Fig.6):

To replace the halogen light bulbs **B**, remove the glass pane **C** using a lever action on the relevant cracks. Replace the bulbs with new ones of the same type.



Do not touch the light bulb with bare hands.

### Commands slider (Fig.7) the key symbols are explained below:

- A** = Light switch
- A1** = Off key
- A2** = On key
- B** = Speed control
- B1** = Off key
- B2** = FIRST SPEED key
- B3** = SECOND SPEED key
- B4** = THIRD SPEED key
- C** = Gemma warning light key.

## 4 Operating your appliance

### Replacing the halogen/incandescent lamps (Fig.8):

Only use lamps of the same type and wattage installed on the device.

### Commands slider (Fig.9) the key symbols are explained below:

This hood is fitted with a **microswitch** which allows the activation of the motor speed) through the opening of the telescopic undercarriage. If the telescopic undercarriage is closed the motor speeds cannot be activated. This microswitch does not have an impact on the activation of the lights which must be switched on through the appropriate switch (see Fig.9A).

**A** = Light switch

**A1** = Off key

**A2** = On key

**B** = Speed control

**B1** = FIRST SPEED key

**B2** = SECOND SPEED key

**B3** = THIRD SPEED key.



If the telescopic undercarriage is closed with the speed set at 2, once it is re-opened, the hood will be reactivated with the same speed in use when the hood was closed.

### Commands (Fig.10):

**Push-button A** = On/off lights switch.

**Push-button B** = On/off cooker hood switch.

The appliance switches on at speed level 1, If the cooker hood is on depress the push-button for 2 sec. to switch off the cooker hood. If the cooker hood is at speed level 1 it will not be necessary to depress the push-button to switch the cooker hood off. Decreases the motor speed.

**Display C** = Indicates the motor speed level selected and activates the timer.

**Push-button D** = Switches on the cooker hood. Increases the motor speed. Touching the key at 3rd speed, the intensive function runs for 10', then the appliance go back to work at the original speed. During this function the display blinks.

**Key E** = The Timer times the functions on activation for 15 minutes, after which they are switched off. The Timer is deactivated by re-pressing **Key E**. When the Timer is activated the decimal point must flash on the display. The Timer cannot be activated if the intensive speed is functioning.

The **“clean air”** function is activated by pressing key **E** for 2 seconds when the appliance is switched off. This switches the motor on for 10 minutes every hour at the first speed. During functioning a rotary movement of the peripheral segments must be visualised on the display. When this time has passed the motor switches off and the fixed letter **“C”** must be visualised on the display until the motor re-starts after 50 minutes for another 10 minutes and so on. Press any key apart from the light keys to return to normal functioning. Press key **E** to deactivate the function.

### Anti-grease/active charcoal filters saturation:

- When display item **C** flashes, at a speed where it alternates with the letter **F** (e.g. **1** and **F**), the anti-grease filters must be washed.
- When display item **C** flashes, at a speed where it alternates with the letter **A** (e.g. **1** and **A**), the active carbon filters must be replaced or washed depending on the type of filter.

After the clean filter has been positioned correctly, the electronic memory must be reset by pressing button **A** for approximately **5 seconds**, until the indication **F** or **A** shown on the display **C** stops flashing.

## 4 Operating your appliance

**Commands luminous (Fig.11)** the key symbols are explained below:

**A** = LIGHT

**B** = OFF

**C** = SPEED I

**D** = SPEED II

**E** = SPEED III

**F** = AUTOMATIC STOP TIMER - 15 minutes (\*)

If your appliance has the **INTENSIVE** speed function, from speed THREE, press key **E** for 2 seconds and it will be activated for 10 minutes after which it will return to the previously set speed. When the function is active the LED flashes. To interrupt it before the 10 minutes have elapsed, press key **E** again. Some models allow activating this function even with speed one and two.

By pressing key **F** for two seconds (with the hood switched off) the **“clean air”** function is activated. This function switches the appliance on for ten minutes every hour at the first speed. As soon as this function is activated the motor starts up at the first speed for ten minutes. During this time key **F** and key **C** must flash at the same time. After ten minutes the motor switches off and the LED of key **F** remains switched on with a fixed light until the motor starts up again at the first speed after fifty minutes and keys **F** and **C** start to flash again for ten minutes and so on. By pressing any key for the exclusion of the hood light the hood will return immediately to its normal functioning (e.g. if key **D** is pressed the **“clean air”** function is deactivated and the motor moves to the 2nd speed straight away. By pressing key **B** the function is deactivated).

(\*) The **“AUTOMATIC STOP TIMER”** delays stopping of the hood, which will continue functioning for 15 minutes at the operating speed set at the time this function is activated.

### Anti-grease/active charcoal filters saturation:

- When the **A** key flashes with a **2 second** frequency the anti-grease filters must be washed.
- When the **A** key flashes with a **0.5 second** frequency the active carbon filters must be replaced or washed depending on the type of filter.

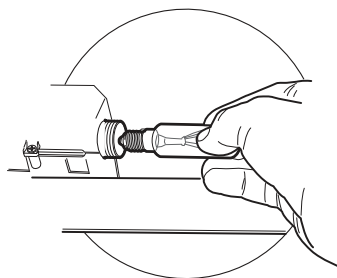
Once the clean filter has been put back one must reset the electronic memory by pressing the **A** key for approximately **5 seconds** until it stops flashing.

## 4.2 Lighting

### Light Replacement

#### 28W light

- Remove the metal grease filters.
- Unscrew the bulbs and replace them with new ones having the same characteristics.
- Replace the metal grease filters.



# 5 Guarantee and Service

Your Beko product is guaranteed against the cost of breakdown repairs for 2 years from the date of the original purchase.

## What is covered?

- All repairs necessary as a result of faulty materials, defective components or manufacturing defect.
- The cost of functional replacement parts.
- The labor costs of a Beko approved repairer to carry out the repair.

## What is not covered?

- Transit or delivery damage
- Accidental damage
- Misuse, or abuse
- Cabinet or appearance parts, including knobs and flaps
- Accessory items, including ice trays, scrapers, cutlery baskets
- Repairs required as a result of unauthorized repairs or expert installation that fails to meet the requirements contained in the user instruction book.
- Repairs to products used on commercial or non-residential household premises

## Important notes

- The product is guaranteed for domestic household use only.
- The guarantee will be void if the product is installed or used in commercial or non-residential domestic household premises.
- The product must be correctly installed, located and operated in accordance with the instructions contained in the User Instructions Booklet provided.
- Professional installation by a qualified plumber/electrical appliance installer is recommended for all Washing & Dishwashing Machines and Electric Cookers.
- Gas Cookers must only be installed by a Gas Safe (or BORD GAIS) registered Gas Installer.
- The guarantee is given only within the boundaries of the United Kingdom.
- The guarantee is not transferable if the product is resold.
- Beko plc. disclaims any liability for incidental or consequential damages.
- The guarantee does not in any way diminish your statutory or legal rights.

## HOW TO OBTAIN SERVICE UNDER THE MANUFACTURERS GUARANTEE

Please keep your purchase receipt or other proof of purchase in a safe place; you will need to have it should the product require attention in the guarantee period

You should also complete the details below; it will help us assist you quicker when requesting service. (The model number is printed on the Instruction Booklet)

**Model Number :** \_\_\_\_\_ **Purchased From :** \_\_\_\_\_ **Date of purchase :** \_\_\_\_\_

For service under guarantee simply telephone the appropriate number below

### LOCATION

UK Mainland & Northern Ireland

Fridges & Freezers

Electric Cookers

Gas & Dual Fuel Cookers

Washing Machines & Dishwashers

Republic of Ireland

All Refrigeration, Cooking, Washing & Dishwashing Machines

### TELEPHONE

0845 600 4903/0345 600 4903

0845 600 4902/0345 600 4902

0845 600 4905/0345 600 4905

0845 600 4906/0345 600 4906

01 862 3411

Before requesting service please check the troubleshooting guide in the Operating Instructions as a charge may be levied where no fault is found even though your product may still be under guarantee.

Service once the manufacturer's guarantee has expired.

If you have purchased an extended guarantee agreement document. Otherwise please call the above numbers where service can be obtained at a charge.

Should you experience any difficulty in obtaining service please call the

**Beko Customer Help-Line on 0845 600 4911/0345 600 4911**

**Beko Plc, Beko House, 1 Greenhill Crescent, Watford Herts, WD18 8QU, Tel: 0845 600 4911**



