

# **USERS GUIDE**

**&**

# **INSTALLATION**

Model: FLH 65 C

**Built in Hob**

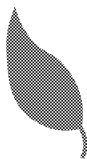




**Please read these instructions before installation or using your appliance!**

Dear Customer,

By purchasing this product you have chosen an appliance of advanced technology and high quality.



The appliance was produced in modern facilities which meet all environmental standards.

The instructions will help you to operate the appliance quickly and safely.

- Upon delivery, please check that the appliance is not damaged. If you note any transport damage, please contact your point of sale immediately and do not connect and operate the appliance!
- Before you connect and start using the appliance, please read this manual and all enclosed documents. Please note in particular the safety instructions.
- Keep all documents so that you can refer to the information again later on. Please keep your receipt for any repairs which may be required under warranty.
- When you pass on the appliance to another person, please provide all documents with it.



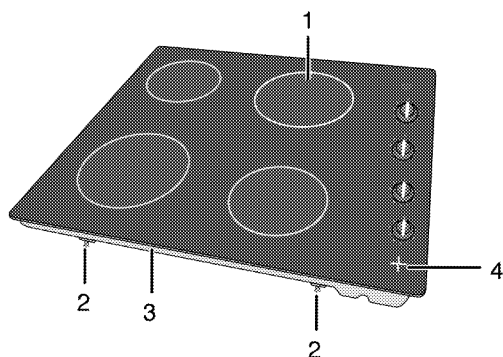
## Table of Contents

---

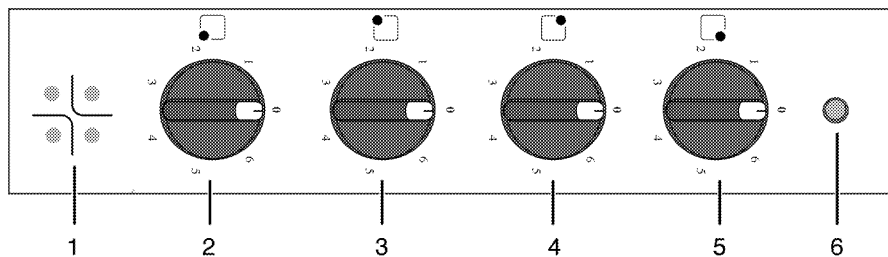
<b>1</b>	<b>General Information.....</b>	<b>4</b>	Installation and connection .....	9	
	Overview .....	4	<b>4</b>	<b>Preparation.....</b>	<b>12</b>
	Technical Data.....	5	Tips for saving energy .....	12	
<b>2</b>	<b>Safety Instructions.....</b>	<b>6</b>	Initial operation.....	12	
	Explanation of safety instructions .....	6	First cleaning of the appliance .....	12	
	Basic safety instructions .....	6	<b>5</b>	<b>How To Use The Hob .....</b>	<b>13</b>
	Safety for children .....	7	General information on cooking .....	13	
	Safety when working with electricity .....	7	How to use hobs .....	13	
	Intended use.....	7	<b>6</b>	<b>Maintenance and Care.....</b>	<b>15</b>
	Disposal.....	7	General information.....	15	
	Packaging material.....	7	How to clean the hob.....	15	
	Old equipment.....	7	<b>7</b>	<b>Troubleshooting .....</b>	<b>16</b>
	Future transportation.....	8			
<b>3</b>	<b>Installation.....</b>	<b>9</b>			
	Before installation.....	9			

# 1 General Information

## Overview



- |   |                              |   |                         |
|---|------------------------------|---|-------------------------|
| 1 | Single-circuit cooking plate | 3 | Base cover              |
| 2 | Assembly clamp               | 4 | Hob hot indicator light |



- |   |  |   |   |
|---|--|---|---|
| 1 | Hob hot indicator light                  | 4 | Single-circuit cooking plate Rear left  |
| 2 | Single-circuit cooking plate Front right | 5 | Single-circuit cooking plate Rear right |
| 3 | Single-circuit cooking plate Front left  | 6 | Warning lamp                            |

## **Technical Data**

Voltage/frequency	220-240 V~380-415V2N~ 50 Hz
Total electric consumption	5800 W
Fuse protection	min. 25 A
Cable type / cross section	H05RR-F 3 x 2,5 mm <sup>2</sup> or equivalent
Cable length	max. 2 m

<b>Burners</b>	
Front right	<b>Single-circuit cooking plate</b>
Size	140 mm
Power	1200 W
Front left	<b>Single-circuit cooking plate</b>
Size	180 mm
Power	1700 W
Rear left	<b>Single-circuit cooking plate</b>
Size	140 mm
Power	1200 W
Rear right	<b>Single-circuit cooking plate</b>
Size	180 mm
Power	1700 W

## 2 Safety Instructions

---

### Explanation of safety instructions

The following types of safety instructions and information are used in this manual. They can be distinguished by the symbol and the initial signal word.

---



#### **DANGER**

##### **High risk of personal injury.**

Non-observance may or will cause serious injuries or death.

---



#### **CAUTION**

##### **Risk of personal injury.**

Non-observance may or will cause minor or medium injuries.

---



#### **NOTICE**

##### **Risk of material damage.**

Non-observance may or will cause damage on the appliance or other objects.

---



#### **Important**

##### **Tip for the user.**

Useful information on how to use the appliance. No injury risk information.

---

### Basic safety instructions

- The manufacturer reserves its right to make changes in the technical specifications in order to improve the appliance quality without any prior notice. Figures included in this manual are for schematic purpose only and may not match exactly with your appliance. Values stated on the markings of the appliance or in other

printed documents supplied with the appliance are obtained under laboratory conditions as per relevant standards. These values may vary according to the usage of the appliance and ambient conditions.

- This appliance is not intended for use by persons (including children) with reduced physical, sensory or mental capabilities, or lack of experience and knowledge, unless they have been given supervision or instruction concerning use of appliance by a person responsible for their safety.

Children should be supervised to ensure that they do not play with the appliance.

- Do not operate the appliance if it is defective or shows any visible damage.
- Do not carry out any repairs or modifications on the appliance. However, you may remedy some malfunctions; see *Troubleshooting*, page 16.
- Be careful when using alcoholic drinks in your dishes. Alcohol evaporates in high temperatures and may cause fire since it will catch fire when it gets in contact with hot surfaces.
- Do not heat closed food containers and glass jars. Pressure that may build-up in the jar can cause it to burst.
- Ensure that no flammable materials are adjacent to the appliance as the sides become hot during use.
- Do not leave empty pots or pans on plates that are switched on. They might get damaged.
- Since it may be hot, do not leave plastic or aluminum dishes on the

surface of appliance. These kind of dishes should not be used to keep food either.

- Check all controls on the appliance are switched off after use.



### **Important**

For the warranty to be valid, the appliance must be installed by a qualified person in accordance with current regulations.

---

## **Safety for children**

- Accessible parts of the appliance will become hot whilst the appliance is in use and until the appliance has cooled, children should be kept away.
- Do not store any items above the appliance that children may reach.
- The packaging materials will be dangerous for children. Keep the packaging materials away from children. Please dispose of all parts of the packaging according to environmental standards.

## **Safety when working with electricity**

- Any work on electric equipment and systems may only be carried out by authorized qualified persons.
- In case of any damage, switch off the appliance and disconnect it from the mains supply by removing the fuse or switching off the circuit breaker.
- Ensure that the fuse rating is correct.

## **Intended use**

The appliance is designed for domestic use only. Commercial use is not admissible.

This appliance should not be used for heating purposes.

The manufacturer shall not be liable for any damage caused by improper use or handling errors.

## **Disposal**

### **Packaging material**

---



#### **DANGER**

#### **Risk of suffocation by the packaging materials!**

Keep children away from the packaging materials.

---

The packaging material and transport locks are made from materials that are not harmful to the environment. Please dispose of all parts of the packaging according to environmental standards. This is beneficial to the environment.

## **Old equipment**



This appliance bears the selective sorting symbol for waste electrical and electronic equipment (WEEE). This means that this appliance must be handled pursuant to European Directive 2002/96/EC in order to be recycled or dismantled to minimize its impact on the environment. For further information, please contact your local or regional authorities.

Electronic appliances not included in the selective sorting process are potentially dangerous for the environment and human health due to the presence of hazardous substances.



## Future transportation

---



### **NOTICE**

Do not place other items on the top of the appliance. The appliance must be transported upright.

---

Store the appliance's original box and transport the appliance in its original carton. Follow the guidance marks that are printed on the carton.



### **Important**

Verify the general appearance of your equipment by identifying possible damage during the transportation.

---

### **If you do not have the original carton**

Pack the appliance in bubble wrap or thick cardboard and tape it securely in order to prevent damage during transportation.

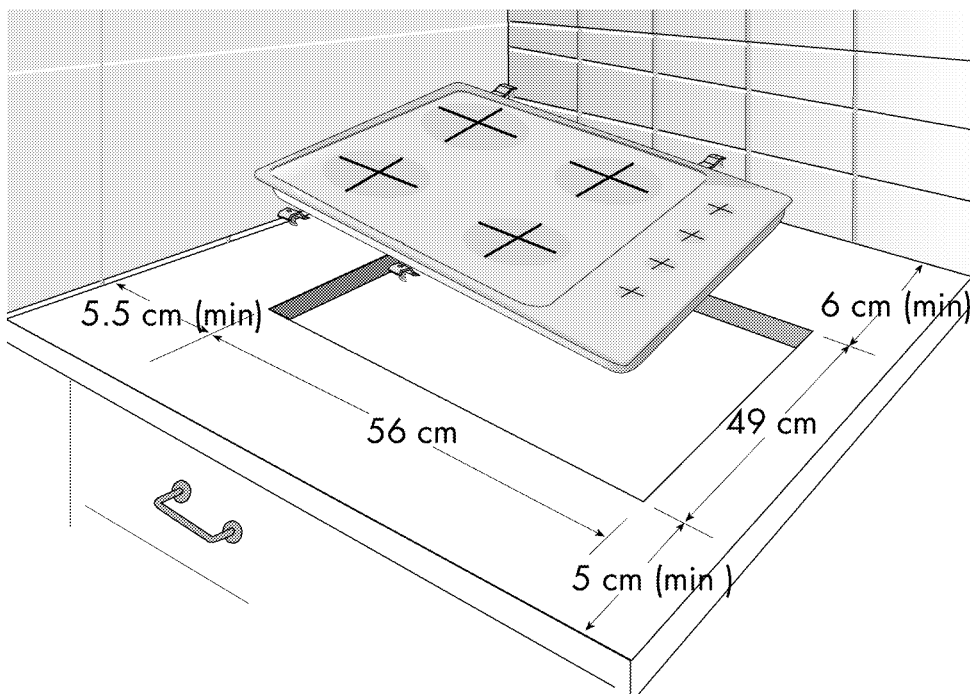
### 3 Installation

#### **Before installation**

The hob is designed for installation in a commercial worktop. A safety distance must be left between the appliance and the kitchen walls and furniture. See figure (values in mm).

- Remove packaging materials and transport locks.

- Surfaces, synthetic laminates and adhesives used must be heat resistant (100 °C minimum).
- The worktop must be aligned and fixed horizontally.
- Cut aperture for the hob in worktop as per installation dimensions.



#### **Installation and connection**



##### **NOTICE**

Risk of broken glass!  
Do not put the ceramic hob down on a corner or edge.

- For installation the appliance must be connected in accordance with all local gas and/or electrical regulations.

#### **Connection to the mains supply**



##### **Important**

**This appliance must be earthed!**  
Our company shall not held responsible for any damage caused by using the appliance without an earthed socket.



## DANGER

### Risk of electric shock, short circuit or fire by unprofessional installation!

The appliance may be connected to the mains supply only by an authorized qualified person and the appliance is only guaranteed after correct installation.



## DANGER

### Risk of electric shock, short circuit or fire by damage of the mains lead!

The mains lead must not be clamped, bent or trapped or come into contact with hot parts of the appliance.

If the mains lead is damaged, it must be replaced by a qualified electrician.

- The mains supply data must correspond to the data specified on the rating plate of the appliance. The rating plate is located at the rear housing of the appliance.
- The appliance mains cable must correspond to the specifications and the power consumption; see *Technical Data*, page 5.



## DANGER

### Risk of electric shock!

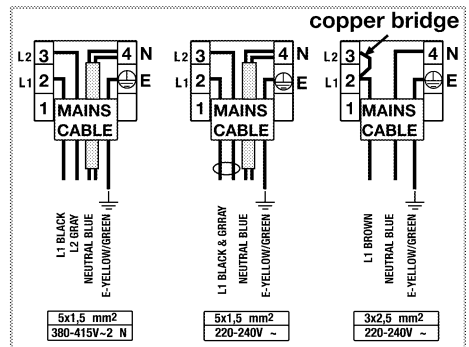
Before starting any work on the electrical installation, please disconnect the appliance from the mains supply.

1. This appliance must only be installed by a qualified electrician, eg local electricity company or a NICEIC

registered contractor, to a suitable double-pole control unit with a minimum contact clearance of 3 mm in all poles, after appliance has been installed in accordance with IEE regulations. Failure to observe this instruction may result in operational problems and invalidation of the appliance warranty.

Additional protection by a residual current circuit breaker is recommended.

2. Open the terminal block cover with screwdriver.
3. Pass the mains lead through the cable clamp under the terminal and fix the mains lead to main body with supplied screw via cable tightener.
4. Connect the cables according to the supplied diagram.



5. Close the cover of the terminal block once the wiring is complete.



## NOTICE

Mains cable must not be longer than 2 meters for safety reasons.

6. The mains lead should be routed away from the appliance and not be trapped between the appliance and the wall.

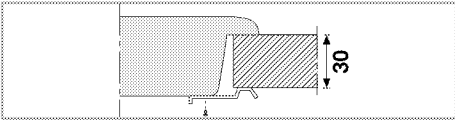
## Installation

1. In hobs whose edges are framed, apply the sealing gasket provided in the package to the edges of base cover of the appliance from below.

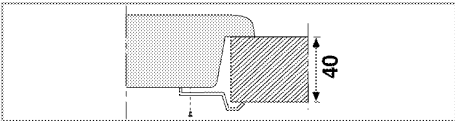


2. Place hob into aperture and align it.
3. Connect it to the holes in the lower housing as indicated in the figure.

For worktops 30 mm thick, install the brackets as under:

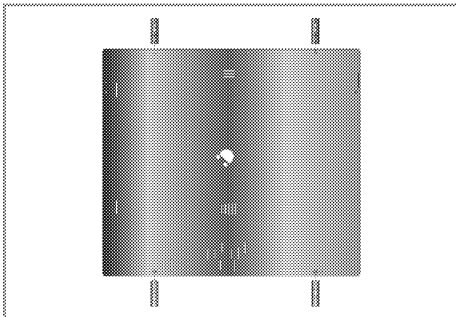


For worktops 40 mm thick, install the brackets as under:



For worktop thickness's of less than 30 mm insert a wood spacer between the bracket and the under surface of the worktop.

### Bottom view (clamp holes)



Secure the hob.



### Important

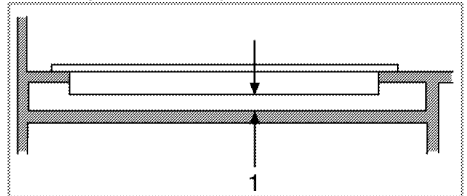
Clamping to different holes is not a good practice in terms of safety since it can damage the gas and electrical system.



### NOTICE

When installing the hob above a cupboard, a dividing shelf as in the above picture must be installed. If installing above a built-in oven this is not required.

If, for example, due to the fitting of the appliance above a drawer, the underside of the appliance is touchable, it must be covered by a wooden plate.



1 min. 50 mm

### Final check

1. Connect the appliance to the mains supply and switch on the mains supply.
2. Check function.

## 4 Preparation

---

### Tips for saving energy

The following tips will help you to use your appliance in an ecological way and to save energy:

- Use pots/pans with lids for cooking. Without a lid, the energy consumption may be up to four times higher.
- Choose the burner/plate which is suitable to the saucepan base. Always choose the correct size of saucepans for your meals. For larger burners/plates more energy is needed.
- Take care to use flat base saucepans while cooking on electrical cookers.  
Pots with an even and thick bottom provide better thermal conduction. You can save up to 1/3 of electricity.
- Pots and pans should match the size of plates. The bottom of the pot or pan should not be smaller than the plate.

- Keep plates and pan bottoms clean. Dirt will reduce the heat transmission between plate and pan bottoms.
- In case of longer cooking times, switch off the plate 5 to 10 minutes before the end of the cooking time. When you use the residual heat, you can save up to 20 % of electricity.

### Initial operation

#### First cleaning of the appliance

---



#### **NOTICE**

The surface might get damaged by some detergents or cleaning materials.

Do not use aggressive detergents, cleaning powder/cream or any sharp objects.

---

1. Remove all packaging materials.
2. Wipe the surfaces of the appliance with a damp cloth or sponge and dry with a cloth.

## 5 How To Use The Hob

### General information on cooking



#### DANGER

#### Risk of fire by overheated oil!

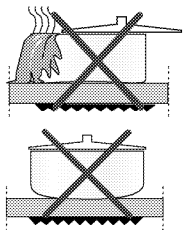
When you heat oil, do not leave it unattended.

**Never try to extinguish the fire with water!** When oil has caught fire, immediately cover the pot or pan with a lid. Switch off the hob if safe to do so and phone the fire service.

- Ensure handles of pans cannot accidentally be caught or knocked and do not get hot by adjacent heating zones.

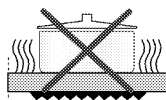
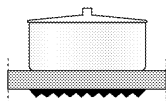
#### Tips for glass ceramic hobs

- The glass ceramic surface is heat-resistant and insensitive to large temperature deviations.
- Do not use the glass ceramic hob for keeping objects or as cutting surface.
- Use pot and pans with ground bottoms. Sharp edges cause scratches on the surface.
- Do not use aluminium pots and pans. Aluminium damages the glass ceramic surface.



Splashes may damage the ceramic surface and can cause fire.

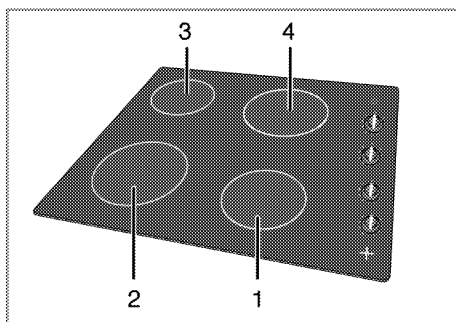
Do not use pots that have concave or convex bottoms.



Use pot and pans with smooth bottoms. They ensure a good heat transfer.

If the pan is too small energy is wasted

### How to use hobs



- 1 Single-circuit cooking plate 14-16 cm
- 2 Single-circuit cooking plate 18-20 cm
- 3 Single-circuit cooking plate 14-16 cm
- 4 Single-circuit cooking plate 18-20 cm is list of advised diameter of pots to be used on related burners.



---

**DANGER**  
**Broken glass!**

Do not let any objects fall onto the hob. Even small objects (e.g. salt shaker) may damage the hob. Do not use glass ceramic hobs with cracks. Water may enter into the cracks and cause a short circuit.

If the surface is damaged in any way (e. g. visible cracks), switch off the device immediately to reduce the risk of an electric shock.

---

The glass ceramic hob is equipped with an operating lamp and a residual heat indicator.

The residual heat indicator indicates the position of the switched on plate and remains illuminated after switching off. (When the temperature of the plate falls below touchable temperature the indicator light will go off). Weak flicker illumination is

not a problem at residual heat indicator light.



---

**NOTICE**

Quick heating glass-ceramic hobs emit a bright light when they are switched on. Do not stare to bright light.

---

**Switching the plate on**

The hob control knobs are used for operating the plates. To obtain the desired cooking power, turn the hob control knobs to the corresponding level.

<b>Cooking level</b>	<b>1</b>	<b>2 – 3</b>	<b>4 – 6</b>
	warming	stewing, simmering	cooking, roasting

**Switching the plate off**

Turn hob control knob to off position (top).

## 6 Maintenance and Care

---

### General information

---



#### **DANGER**

##### **Risk of electric shock!**

Switch off the electricity before cleaning appliance to avoid an electric shock.

---



#### **DANGER**

##### **Hot surfaces may cause burns!**

Allow the appliance to cool down before you clean it.

---



#### **NOTICE**

The surface might get damaged by some detergents or cleaning materials.

Do not use aggressive detergents, cleaning powder/cream or any sharp objects.

---

Clean the appliance thoroughly after each use; in this way it will be possible to remove cooking residues more easily, thus avoiding these from burning the next time the appliance is used.

No special cleaning agents are required for cleaning the appliance. It is recommended to use warm water with washing liquid, a soft cloth or sponge and use a dry cloth for drying.

**Do not use any abrasive cleaning materials!**



#### **Important**

Do not use steam cleaners for cleaning.

---

### How to clean the hob

---

#### **Ceramic hobs**

Always rinse off fully with a clean cloth wrung out in clean water (as residue could damage the ceramic glass surface next time the hob is used).

In no case should crusts be scratched off with serrated edge knives, steel wool or the like.

Remove calcium stains (yellow staining) with small amounts of decalcifying agents such as Durgol, vinegar or lemon juice.

Apply agent with a sponge and, in the event of heavier soiling, let it work in for a longer period of time. Afterwards, wash offhob with water.

---



#### **Important**

Sugar-based food such as custard and syrup should immediately be scraped off without waiting for the surface to cool down. Otherwise the hob may be permanently damaged.

---



## 7 Troubleshooting

---



### **DANGER**

**Risk of electric shock, short circuit or fire by unprofessional repairs!**

Repairs on the appliance must be carried out by an approved service centre.

---

### **Normal operating conditions**

- Smoke and smell may emit for a couple of hours during the first operation.
- When the metal parts are heated, they may expand and cause noise.

**Before you call the service, please check the following points.**

### **Electrical equipment**

<b>Malfunction/problem</b>	<b>Possible cause</b>	<b>Advice/remedy</b>
The appliance does not work.	The mains fuse is defective or has tripped.	Check fuses in the fuse box. If necessary, replace or reset them.

If the problem has not been solved:

1. Separate unit from the mains supply (deactivate or unscrew fuse).
2. Call the appropriate telephone number for your area as shown in the Guarantee and Service section of this user manual.



### **Important**

Do not attempt to repair the appliance yourself. There are no customer service items inside the appliance.

---

Your Cooker is guaranteed against the cost of breakdown repairs for twelve months from the date of the original purchase.

**What is covered?**

- Repairs necessary as a result of faulty materials, defective components or manufacturing defects.
- The cost of functional replacement parts, but excluding consumable items.
- The labour cost of a Leisure Consumer Products approved repairer to carry out the repair.

**What is not covered?**

- Transit, delivery or accidental damage or misuse and abuse.
- Cabinet or appearance parts, including knobs, flaps, handles or container lids.
- Accessories or consumable items including but not limited to filters and light bulbs.
- Repairs required as a result of unauthorized repair or inexperienced installation that fails to meet the requirements contained in the user instruction book.
- Repairs to products used on commercial or non-residential household premises.

**Important notes**

- Your Leisure Consumer Product is designed and built for domestic household use only.
- The guarantee will be void if the product is installed or used in commercial or non-residential domestic household premises.
- The product must be correctly installed, located and operated in accordance with the instructions contained in the User Instruction Booklet provided.
- Professional installation by a qualified Electrical Domestic Appliance Installer is recommended for all Washing Machines, Dishwashers, Electric Cookers and Cooker Hoods.
- Gas Cookers must only be installed by a Gas Safe ( or BORD GAIS) registered Gas Installer.
- The guarantee is given only within the boundaries of the United Kingdom and the Republic of Ireland.
- The guarantee is applicable only to new products and is not transferable if the product is resold.
- Leisure Consumer Products disclaims any liability for incidental or consequential damages.
- The guarantee does not diminish your statutory or legal rights.

---

*Please keep your purchase receipt or other proof of purchase in a safe place; you will need to have it should the product require attention under guarantee.*

You should also complete the details below; it will help us assist you when requesting service. (The model is printed on the Instruction Booklet and Serial Number is printed on the Rating Label affixed to the appliance)

Model No: \_\_\_\_\_

Serial No: \_\_\_\_\_

Retailer: \_\_\_\_\_

Date of purchase: \_\_\_\_\_

**For service under guarantee simply telephone the appropriate number below**

**UK Mainland & Northern Ireland**

Fridges & Freezers	0845 600 4903
Electric Cookers	0845 600 4921
Gas & Dual Fuel Cookers	0845 600 4921
Washing Machines & Dishwashers	0845 600 4906

**Republic of Ireland**

All Refrigeration,	01862 34 11
All Cookers,	
Washing Machines & Dishwashers	

**Before requesting service please check the trouble-shooting guide in the Operating Instructions as a charge may be levied where no fault is found even though your product may still be under guarantee.**

**Service once the manufacturer's guarantee has expired**

If you have purchased an extended guarantee please refer to the instructions contained within the extended guarantee agreement document. Otherwise please call the appropriate number above where service can be obtained at a charge.

Should you experience any difficulty in obtaining service please contact the Leisure Consumer Products Customer Help-Line.

Tel: 0845 600 4918 e-mail: [service@leisurecp.co.uk](mailto:service@leisurecp.co.uk)



Leisure Consumer Products  
36-38 Caxton Way  
Watford  
Herts WD18 8UF  
Tel: 0845 6004916  
Facsimile: 0845 6004922  
[www. Leisurecp.co.uk](http://www.Leisurecp.co.uk)

Part no. 185.9264.13/ R.AA/11.01.2010