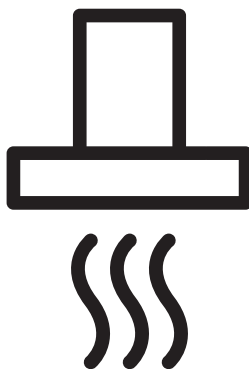




## Cooker Hood

User Manual



HCP 61422 BH  
HCP 61422 XH

EN

# CONTENTS

---

## **1 Important safety and environmental instructions 4**

- 1.1 General Safety ..... 4
- 1.2 Compliance with the WEEE Directive and Disposing of the Waste Product: ..... 7
- 1.3 Compliance with RoHS Directive . 8
- 1.4 Package Information..... 8
- 1.5 Plug Wiring ..... 8

## **2 General appearance 9**

- 2.1 Overview ..... 9
- 2.2 Technical data ..... 9

## **3 Using the appliance 10**

- 3.1 Controlling the appliance ..... 10
- 3.2 Energy efficient usage..... 10
- 3.3 Operating the hood ..... 10
- 3.4 Replacement of lamp ..... 10
- 3.5 Operation with chimney connection ..... 11
- 3.6 Operation without chimney connection..... 11

## **4 Cleaning and maintenance 12**

- 4.1 Cleaning of grease filter ..... 12
- 4.2 Changing of carbon filter ..... 12

## **5 Installation of appliance 14**

- 5.1 Position of the appliance ..... 14
- 5.2 Installation accessories ..... 14
- 5.3 Wall mounting..... 14
- 5.4 Air outlet installation method... 15
- 5.5 Storage..... 16
- 5.6 Handling and transportation ... 17

## **6 Troubleshooting 17**

---

## Please read this user manual first!

Dear Valued Customer,

Thank you for preferring this Beko appliance. We hope that you get the best results from your appliance which has been manufactured with high quality and state-of-the-art technology. For this reason, please read this entire user manual and all other accompanying documents carefully before using the appliance and keep it as a reference for future use. If you handover the appliance to someone else, give the user manual as well. Follow the instructions by paying attention to all the information and warnings in the user manual.

Remember that this user manual may also apply to other models. Differences between models are explicitly described in the manual.

### Meanings of the Symbols

Following symbols are used in various sections of this user manual:



Important information and useful hints about usage.



**WARNING:** Warnings against dangerous situations concerning the security of life and property.



**WARNING:** Warning for danger of fire.



**WARNING:** Warning for electric shock.



# 1 Important safety and environmental instructions

## 1.1 General Safety

**Important Safety Instructions Read Carefully And Keep For Future Reference** This section contains safety instructions that will help protect from risk of fire, electric shock, exposure to leak microwave energy, personal injury or property damage. Failure to follow these instructions shall void any warranty.

- Beko products comply with the applicable safety standards; therefore, in case of any damage on the appliance or power cable, it should be repaired or replaced by the dealer, service center or a specialist and authorized service alike to avoid any danger. Faulty or unqualified repair work may be dangerous and cause risk to the user.
- This appliance is intended to be used in household and similar applications such as:
  - Staff kitchen areas in shops, offices and other working environments;
  - Farm houses
  - By clients in hotels, and other residential type environments;
  - Bed and Breakfast type environments.
- Operate the appliance for its intended purpose only as described in this manual.
- The manufacturer cannot be held liable for damages resulting from improper installation or misuse of the product.
- This appliance can be used by children aged from 8 years and above and persons with reduced physical, sensory or mental capabilities or lack of experience and knowledge if they have been

# 1 Important safety and environmental instructions

given supervision or instruction concerning use of the appliance in a safe way and understand the hazards involved.

- Children shall not be allowed play with the appliance. Cleaning and user maintenance shall not be made by children without supervision.
- The minimum distance between the supporting surface for the cooking equipment on the hob and the lowest part of the range hood must be not less than 50 cm from electric cookers and 65 cm from gas or mixed cookers.
- If the instructions for installation for the gas hob specify a greater distance, this has to be taken into account.
- Make sure that your mains power supply complies with the information supplied on the rating plate of

the appliance.

- Never use the appliance if the power cable or the appliance itself is damaged.
- Prevent damage to the power cable by not squeezing, bending, or rubbing it on sharp edges. Keep the power cable away from hot surfaces and naked flame.
- Use the appliance with a grounded outlet only.

**WARNING:** Do not connect the appliance to the mains until the installation is fully complete.

- Place the appliance in a way so that the plug is always accessible.
- Do not touch the lamps if they have operated for a long time. They can burn your hands since they will be hot.
- Follow the regulations set out by competent authorities on discharge of the exhaust air (this warning

## 1 Important safety and environmental instructions

is not applicable for use without flue).

- Operate your appliance after putting a pot, pan etc. on the hob. Otherwise, high heat may cause deformation in some parts of your product.
- Turn off the hob before taking the pot, pan etc. from it.
- Do not leave hot on the hob. Pans with hot may cause self combustion.
- Pay attention to your curtains and covers since may catch fire while cooking food such as fries.
- Grease filter must be cleaned at least monthly. Carbon filter must be replaced at least every 3 months.
- Product shall be cleaned accordance with user manual. If cleaning was not carried out in accordance with user manual, there may be fire risk.
- Do not use non-fire-resistant filtering materials instead of the current filter.
- Only use the original parts or parts recommended by the manufacturer.
- Do not operate the product without the filter and do not remove the filters while the product is running.
- In the event of be started any flame, de-energize your product and cooking appliances.
- In the event of be started any flame, cover the flame and never use water to extinguish.
- Unplug the appliance before each cleaning and when the appliance is not in use.
- The negative pressure in the environment should not exceed 4 Pa (4x10 bar) while the hood for electric hob and appliances running on another type of

# 1 Important safety and environmental instructions

energy but electricity operate simultaneously.

- In the environment where the appliance is being used, the exhaust of devices running on fuel or gas, such as room heater must be absolutely isolated or device must be hermetical type.
- When connecting the flue, use pipes with a diameter of 120 or 150 mm. Pipe connection must be as short as possible and have as few elbows as possible.

**Danger of choking!** Keep all the packaging materials away from children.

**CAUTION:** Accessible parts may become hot when used with cooking appliances.

- The product outlet must not be connected to air channels that include other smoke.
- The ventilation in the room may be insufficient when the hood for electric hob

is used simultaneously with the devices operating on gas or other fuels (this may not apply to appliances that only discharge the air back into the room).

- Objects placed on the product may fall. Do not place any objects on the product.
- Do not flambe under the your product.

**WARNING:** Before installing the Hood, remove the protective films.

- Never leave high naked flames under the hood when it is in operation
- Deep fat fryers must be continuously monitored during use: overheated can burst into flames.

## 1.2 Compliance with the WEEE Directive and Disposing of the Waste Product:

This product complies with EU WEEE Directive (2012/19/EU). This product bears a classification symbol for waste electrical and electronic equipment (WEEE).

# 1 Important safety and environmental instructions



This symbol indicates that this product shall not be disposed with other household wastes at the end of its service life.

Used device must be returned to official collection point for recycling of electrical and electronic devices. To find these collection systems please contact to your local authorities or retailer where the product was purchased. Each household performs important role in recovering and recycling of old appliance. Appropriate disposal of used appliance helps prevent potential negative consequences for the environment and human health.

## 1.3 Compliance with RoHS Directive

The product you have purchased complies with EU RoHS Directive (2011/65/EU). It does not contain harmful and prohibited materials specified in the Directive.

## 1.4 Package Information



Packaging materials of the product are manufactured from recyclable materials in accordance with our National Environment Regulations. Do not dispose of the packaging materials together with the domestic or other wastes. Take them to the packaging material collection points designated by the local authorities.

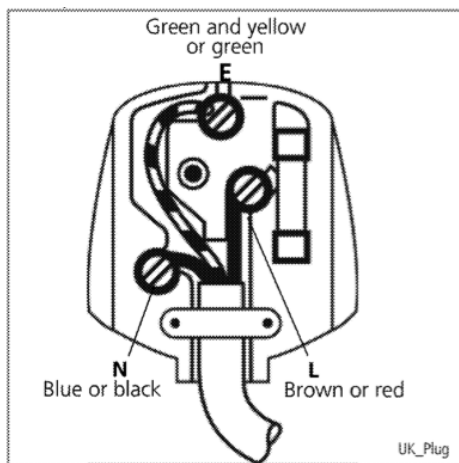
## 1.5 Plug Wiring

The moulded plug on this appliance incorporates a 13 A fuse. Should the fuse need to be replaced an ASTA approved BS1362 fuse of the same rating must be used. Do not forget to refit the fuse cover. In the event of losing the fuse cover, the plug must not to be used until a replace-

ment fuse cover has been fitted. Colour of the replacement fuse cover must be the same colour as that visible on the pin face of the plug. Fuse covers are available from any good electrical store.

### • Fiting a different plug

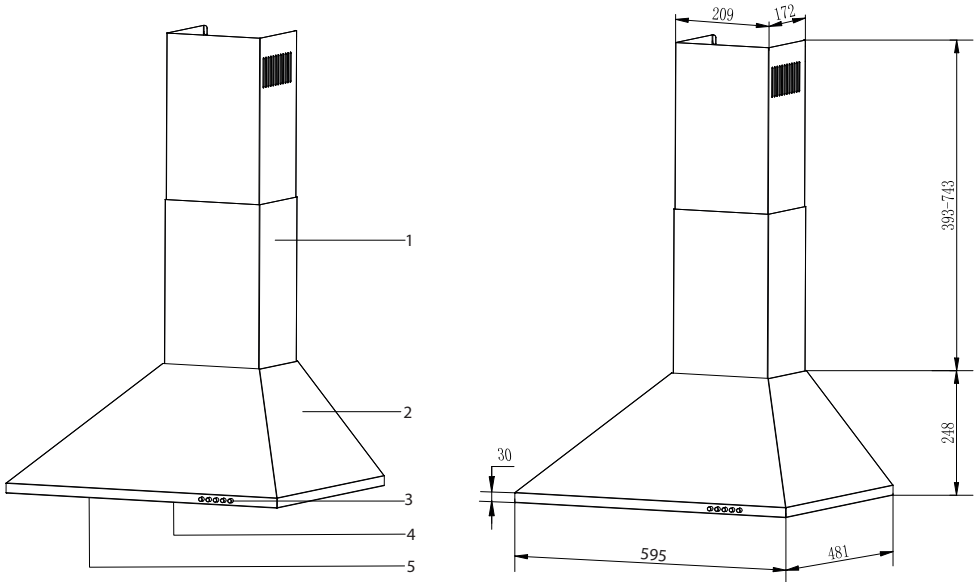
- As the colours of the wires in the mains lead of this appliance may not correspond with the coloured markings identifying the terminals on your plug, proceed as follows:
- Brown cable = L (Live)
- Blue cable = N (Neutral)
- Green/yellow cable must be connected to ground (E)  $\equiv$  line
- With the alternative plugs a 13 A fuse must be fitted either in the plug or adaptor or in the main fuse box. If in doubt contact a qualified electrician.





## 2 General appearance

### 2.1 Overview



### Control and parts






1. Chimney
2. Body
3. Control panel
4. Lighting
5. Grease filter

### 2.2 Technical data

Model	HCP 61422 BH	HCP 61422 XH
Supply voltage & frequency	220-240V~ 50/60 Hz	
Lamp power	2 W	
Motor power	120 W	
Air flow – 3. Level	480 m <sup>3</sup> /h	
Motor insulation class	CLASS F	
Insulation class	CLASS I	

## 3 Using the appliance

### 3.1 Controlling the appliance

				
A	B	C	D	E
<b>A: OFF button</b>	Turn off the fan.			
<b>B : 1st speed level button</b>	By pressing this button, you enable the device to operate at speed level 1.			
<b>C : 2nd speed level button</b>	By pressing this button, you enable the device to operate at the 2nd speed level.			
<b>D : 3rd speed level button</b>	By pressing this button, you enable the device to operate at the 3rd speed level.			
<b>E : Light on/off</b>	You can illuminate the cooking area by pressing this button. Press this button again to turn off the lighting.			

### 3.2 Energy efficient usage

- When operating the hood, adjust the speed level according to the odour and vapour intensity in order to prevent unnecessary power consumption.
- Use low speeds in normal conditions (1–2), and high speed (3) when smell and vapours are intensified.
- Lamps on the hood are intended for illuminating the cooking zone.
- Using them to illuminate the ambient/kitchen will result in unnecessary power consumption and inadequate illumination.
- For your device to consume less energy, run it at a low speed level.
- Your device will reduce energy consumption as it will run more efficiently when you provide sufficient air intake to it.

- Set your device to the intense suction power level before the formation of steam, in cases where you know that the dense steam will occur. So, you reduce energy consumption by using your device for a shorter time as it will have a sufficient air intake.
- Keep the lids of the cookware closed to reduce the steam evolving.

### 3.3 Operating the hood

- Your appliance contains a motor that has various speeds.
- For better performance, we recommend using low speeds under normal conditions and high speeds in cases of strong odours and intense vapour.
- You can start your appliance by pressing on the desired speed setting button. (b, c, d)
- You may illuminate the cooking area by pressing the lamp.(e)

### 3.4 Replacement of lamp

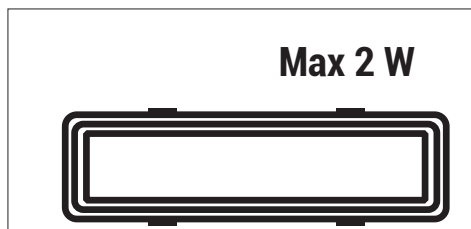


- Before replacing the light bulbs, disconnect the power supply of the hood.
- Do not touch the light bulbs when they are hot.
- Be careful not to touch the replaced light bulb directly with hands.




You may procure lamps from Authorised Service Agents.

## 3 Using the appliance

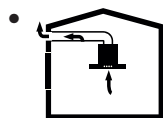


Disconnect the hood from the mains-supply. This appliance is equipped with 2 W LED lamp. Remove the grease filter to access the lamp area. Replace the damaged lamp.

<b>Bulb</b>	
<b>Bulb Power</b>	2 W
<b>Holder / Socket</b>	L14
<b>Bulb Voltage</b>	110 - 240 V
<b>Size</b>	34,5x120 mm
<b>Luminous flux</b>	81 lm
<b>Correlated colour temperature</b>	4050 K

This product contains a light source of energy efficiency class "A".

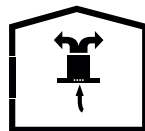
### 3.5 Operation with chimney connection



Vapour is extracted through the flue duct, which is fastened to the connection head on the hood.

- The diameter of the flue duct must be the same as the connection ring. In horizontal settings, the pipe has to have a slight upward slope (around 10°) so that the air can exit the room easily.

### 3.6 Operation without chimney connection



Air is filtered through the carbon filter and recirculated in the room. Carbon filter is used when it is impossible to use a flue in the house.

- In flue less use, remove the flaps inside the flue adapter.
- Remove the aluminium grease filter. To install the carbon filter, fit the filter to the tabs by centring it on the plastic piece on both sides of the fan body. Tighten it by turning right or left.
- Replace aluminium grease filter.

## 4 Cleaning and maintenance

The device should be cleaned and maintained regularly. Failure to keep the device clean will adversely affect the service life of the device. For cleaning and maintenance, follow the instructions stated in the manual.



Before cleaning and maintenance, unplug the product or turn off the switch.



Non-compliance with the provisions associated with the cleaning of the device and replacement of the filters may result in a risk of fire. Therefore, it is recommended to follow the guidelines stated here. The manufacturer is not responsible for the engine damages or fires originating from the improper use.

Clean the hood using a damp cloth and a neutral liquid detergent. Do not use abrasive products or alcohol.

### 4.1 Cleaning of grease filter

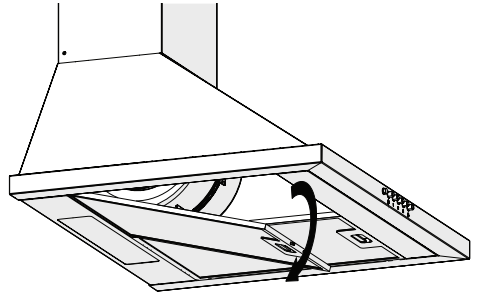
The grease filter must be cleaned once a month using non aggressive detergents, either by hand or in the dishwasher, which must be set to a low temperature and a short cycle. When washed in a dishwasher, the grease filter may discolor slightly, but this does not affect its filtering capacity.



You may wash your grease filters in the dishwasher.



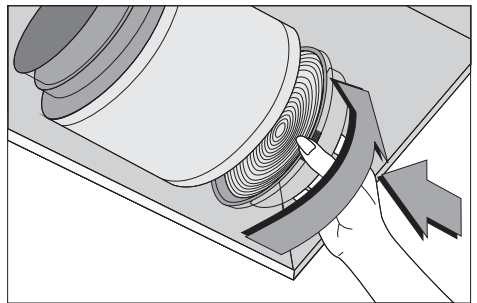
**CAUTION:** In case of normal use, clean your grease filter once in a month.



- Push the aluminium grease filter lock forward.
- Then pull it slightly down and pull it out. Otherwise, you can bend the filter. Wash and rinse aluminium oil filters with liquid detergent and replace aluminium oil filters to their sockets by carrying out the steps specified above in reverse order. This filter retains the oil particles in the air.

### 4.2 Changing of carbon filter

Odour removing filters contain charcoal (Active carbon). Grease filters must be installed in the product, regardless of whether or not carbon filters are used.



- Remove the grease filter.
- To remove the carbon filter, remove the carbon filter from its housing by rotating it counterclockwise from the tab.

## 4 Cleaning and maintenance

- Install the new carbon filter.
- Install the grease filter.



**CAUTION:**

- Carbon filter shall never be washed.
- Replace carbon filters once every 3 months.
- You can obtain the carbon filter from the authorized services.

## 5 Installation of appliance



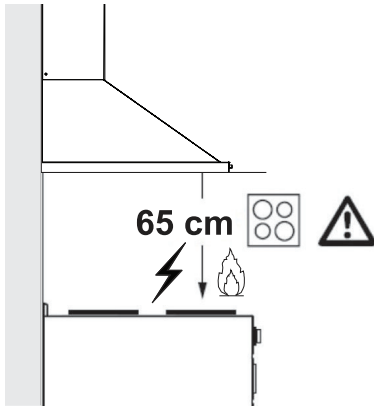
**WARNING:** Before starting the installation, read the safety information on User Manual.



**WARNING:** Failure to install with screws and stabilizers in accordance with these instructions may result in electric shock.

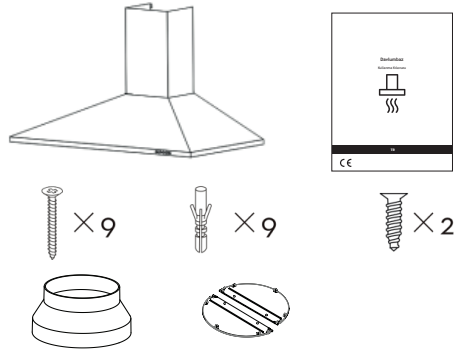
For the installation of the hood, please contact the nearest Authorized Service. It is the customer's responsibility to prepare the location and electrical installation of the hood.

### 5.1 Position of the appliance



- Distance between the cooker and the cooker hood must be considered prior to assembly. This distance should be 65 cm.
- Distance must be measured from the surface of grate for gas cookers, from surface of glass for electric cookers.

### 5.2 Installation accessories



- 1.Hood
- 2.User manual
- 3.4x30 mm wall hanging screw
- 4.Ø8x35 mm plastic dowel
- 5.3x10 chimney connection plate screw
- 6.Ø150/120mm plastic chimney adapter
- 7.Chimney valve

The information required to make the location suitable for the installation of the hood is given below.

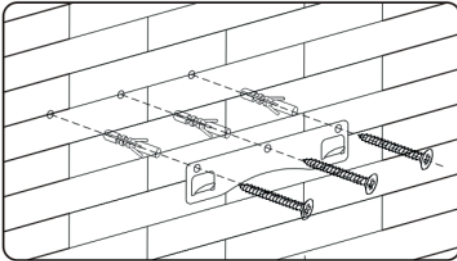
### 5.3 Wall mounting

- Wall must be flat, straight and have the sufficient bearing capacity.
- Depth of drilling holes must comply with the length of bolts.
- The bolts and dowels provided are suitable for brick walls. For other construction material (e.g. drywall, plate, porous concrete), suitable fixing dowels and nuts shall be used.

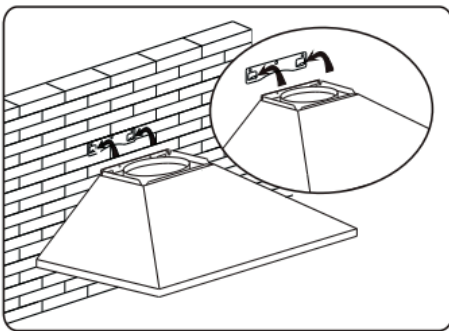
## 5 Installation of appliance



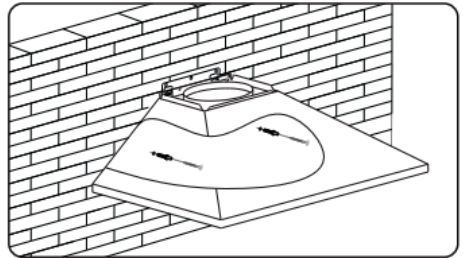
**CAUTION:** Before drilling, ensure that there are no power, gas or water pipes in the close proximity of the drilling locations.



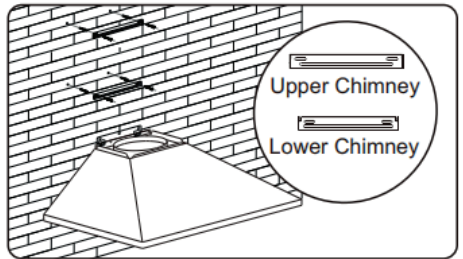
Drill 3x8mm holes to accommodate the bracket. Screw and tighten the hook onto the wall with the screws & plastic wall anchors provided.



Lift the cooker hood and hang onto the wall hook.



Need to drill 2x8mm extra holes & fixing screws & plastic wall anchors before installation.



Mark down the position and drill 2 holes for each chimney bracket and tighten the bracket with screws.



The longer bracket is upper.

### 5.4 Air outlet installation method

#### Installation method for 150mm diameter pipe:

Insert the one-way-valve as the pic and fix the pipe.



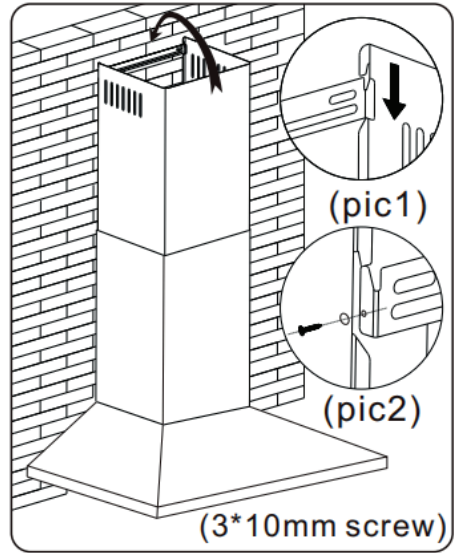
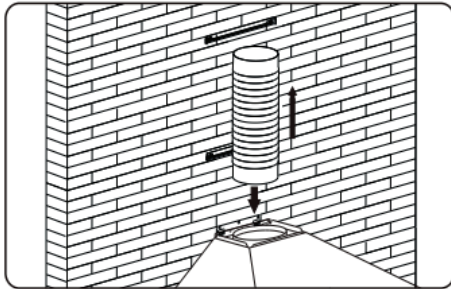
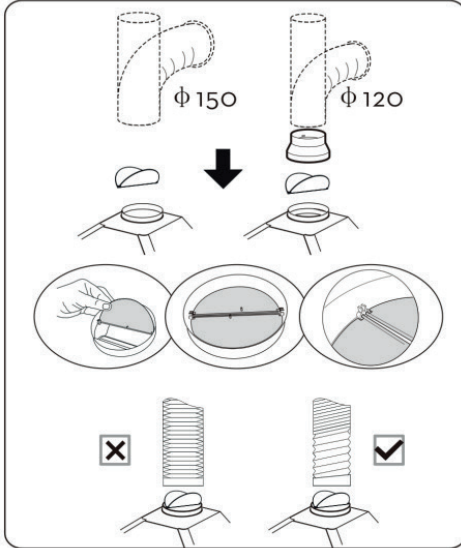
**Attention:** The bump of the one-way-valve must be upward.

#### Installation method for 120mm diameter pipe:

Insert the damper as the picture and fix the converter before placing the duct.

## 5 Installation of appliance

The pipe near the air outlet need to be fully extended.



Put the upper chimney into lower chimney. Fix the one-way-valve to the air outlet of the then pulling out the upper chimney upwards. Cooker hood, and then attach the pipe onto the air adjust to reach the height required. There are 2 methods for installing the chimney cover.

1. After drilling the 2 holes and fixing the bracket, hang the chimney cover by matching the both side locks.(Pic1)
2. After drilling the 2 holes and fixing the bracket, install the chimney cover by locking with 2 screws in both side holes.(Pic2)

### 5.5 Storage

- If you do not intend to use the appliance for a long time, please store it carefully.
- Please make sure that the appliance is un-plugged, cooled down and totally dry.



## 5 Installation of appliance

- Store the appliance in a cool and dry place.
- Keep the appliance out of the reach of children
- Do not place heavy loads on the appliance or the packaging. The appliance may be damaged.
- Dropping the appliance will render it non-operational or cause permanent damage.

### 5.6 Handling and transportation

- During handling and transportation, carry the appliance in its original packaging. The packaging of the appliance protects it against physical damages.

## 6 Troubleshooting

Troubleshooting	Reason	Help
The product does not work.	Check your fuse.	Your fuse might be closed, make it work.
The product does not work.	Check the electrical connection.	The mains voltage should be between 220-240 V.
The product does not work.	Check the electrical connection.	Check if the other products in your kitchen are working or not.
The lighting lamp does not work.	Check the electrical connection.	The mains voltage should be between 220-240 V.
The lighting lamp does not work.	Check the lamp switch.	The lamp switch should be in the "on" position.
The lighting lamp does not work.	Check the lamps.	The lamps of the product should not be faulty.
The air intake of the product is poor.	Check the aluminum filter.	The aluminum oil filter should be cleaned at least once a month under normal conditions.
The air intake of the product is poor.	Check the air vent flue.	The air vent flue should be in the "on" position.
The air intake of the product is poor.	Check the carbon filter.	For products with carbon filters, the filter should normally be changed every 3 months.





Arçelik A.Ş.  
Karaağaç Caddesi No: 2-6, 34445,  
Sütlüce, İstanbul, Türkiye

[www.beko.co.uk](http://www.beko.co.uk)