

**Built-in hob**

**HIZG 64120**

**HIZG 64120 S**

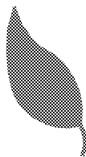
**BEKO**

**OPERATING INSTRUCTIONS**

**Please read these instructions before installation or using your appliance!**

Dear Customer,

By purchasing this product you have chosen an appliance of advanced technology and high quality.



The appliance was produced in modern facilities which meet all environmental standards.

The instructions will help you to operate the appliance quickly and safely.

- Upon delivery, please check that the appliance is not damaged. If you note any transport damage, please contact your point of sale immediately and do not connect and operate the appliance!
- Before you connect and start using the appliance, please read this manual and all enclosed documents. Please note in particular the safety instructions.
- Keep all documents so that you can refer to the information again later on. Please keep your receipt for any repairs which may be required under warranty.
- When you pass on the appliance to another person, please provide all documents with it.



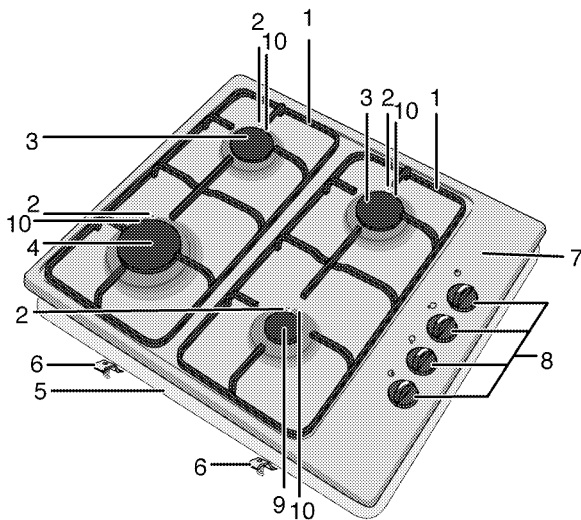
## Table of Contents

---

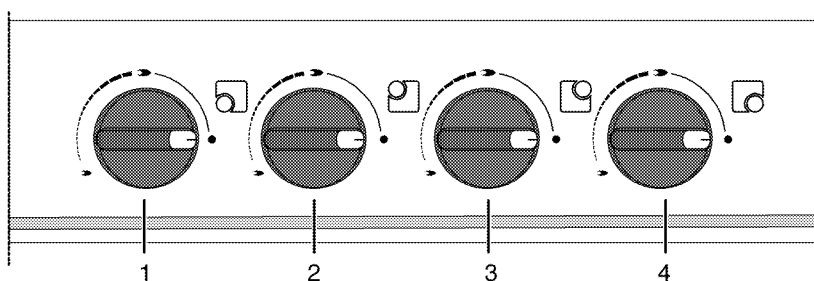
<b>1 GENERAL INFORMATION</b> .....	4	Gas conversion .....	12
Overview .....	4	<b>4 PREPARATION</b> .....	<b>14</b>
Technical Data .....	5	Tips for saving energy.....	14
<b>2 SAFETY INSTRUCTIONS</b> .....	<b>6</b>	Initial operation .....	14
Explanation of safety instructions.....	6	First cleaning of the appliance.....	14
Basic safety instructions.....	6	<b>5 HOW TO USE THE HOB</b> .....	<b>15</b>
Safety for children.....	7	General information on cooking .....	15
Safety when working with gas .....	7	How to use hobs.....	15
Intended use .....	8	<b>6 MAINTENANCE AND CARE</b> .....	<b>17</b>
Disposal .....	8	General information .....	17
Packaging material .....	8	How to clean the hob.....	17
Old equipment .....	8	<b>7 TROUBLESHOOTING</b> .....	<b>18</b>
Future transportation .....	8	<b>8 Guarantee and Service</b> .....	<b>19</b>
<b>3 INSTALLATION</b> .....	<b>9</b>		
Before installation .....	9		
Installation and connection.....	10		

# 1 GENERAL INFORMATION

## Overview



- |   |               |    |                      |
|---|---------------|----|----------------------|
| 1 | Pan support   | 6  | Assembly clamp       |
| 2 | Spark plug    | 7  | Burners' plate       |
| 3 | Normal burner | 8  | Gas burner's knob    |
| 4 | Rapid burner  | 9  | Auxiliary burner     |
| 5 | Base cover    | 10 | Flame failure device |



- |   |                              |   |                          |
|---|------------------------------|---|--------------------------|
| 1 | Auxiliary burner Front right | 3 | Normal burner Rear left  |
| 2 | Rapid burner Front left      | 4 | Normal burner Rear right |

## **Technical Data**

Voltage/frequency	220-240 V ~ 50 Hz
Fuse protection	min. 6 A
Cable type / cross section	H05RR-F 3 x 0,75 mm <sup>2</sup> or equivalent
Cable length	max. 2 m
Gas device category	I <sub>2H</sub>
Gas type/pressure	NG G 20/20 mbar
Total gas consumption	7.9 kW
Outer dimensions (height/width/depth)	84 mm/580 mm/510 mm
Installation dimension (width/depth)	560 mm/490 mm
<b>Burners</b>	
Front right	<b>Auxiliary burner</b>
Power	1000 W
Front left	<b>Rapid burner</b>
Power	2900 W
Rear left	<b>Normal burner</b>
Power	2000 W
Rear right	<b>Normal burner</b>
Power	2000 W

## 2 SAFETY INSTRUCTIONS

---

### Explanation of safety instructions

The following types of safety instructions and information are used in this manual. They can be distinguished by the symbol and the initial signal word.

---



#### **DANGER**

##### **High risk of personal injury.**

Non-observance may or will cause serious injuries or death.

---



#### **CAUTION**

##### **Risk of personal injury.**

Non-observance may or will cause minor or medium injuries.

---



#### **NOTICE**

##### **Risk of material damage.**

Non-observance may or will cause damage on the appliance or other objects.

---



#### **Important**

##### **Tip for the user.**

Useful information on how to use the appliance. No injury risk information.

---

### Basic safety instructions

- The manufacturer reserves its right to make changes in the technical specifications in order to improve the appliance quality without any prior notice. Figures included in this manual are for schematic purpose only and may not match exactly with your appliance. Values stated on the markings of the appliance or in other printed documents supplied with the

appliance are obtained under laboratory conditions as per relevant standards. These values may vary according to the usage of the appliance and ambient conditions.

- This appliance is not intended for use by persons (including children) with reduced physical, sensory or mental capabilities, or lack of experience and knowledge, unless they have been given supervision or instruction concerning use of appliance by a person responsible for their safety.

Children should be supervised to ensure that they do not play with the appliance.

- Do not operate the appliance if it is defective or shows any visible damage.
- Do not carry out any repairs or modifications on the appliance. However, you may remedy some malfunctions; see *TROUBLESHOOTING, page 18*.
- Be careful when using alcoholic drinks in your dishes. Alcohol evaporates in high temperatures and may cause fire since it will catch fire when it gets in contact with hot surfaces.
- Do not heat closed food containers and glass jars. Pressure that may build-up in the jar can cause it to burst.
- Ensure that no flammable materials are adjacent to the appliance as the sides become hot during use.
- Do not leave empty pots or pans on plates that are switched on. They might get damaged.
- Since it may be hot, do not leave plastic or aluminum dishes on the surface of appliance. These kind of

dishes should not be used to keep food either.

- Check all controls on the appliance are switched off after use.



### Important

For the warranty to be valid, the appliance must be installed by a qualified person in accordance with current regulations.

---

## Safety for children

- Accessible parts of the appliance will become hot whilst the appliance is in use and until the appliance has cooled, children should be kept away.
- Do not store any items above the appliance that children may reach.
- The packaging materials will be dangerous for children. Keep the packaging materials away from children. Please dispose of all parts of the packaging according to environmental standards.

## Safety when working with gas

- Any works on gas equipment and systems may only be carried out by authorised qualified persons.
- Prior to the installation, be sure that the conditions of local distribution (gas type and gas pressure) and the adjustment of the appliance are compatible.
- It shall be installed and connected in accordance with current installation regulations. Particular attention shall be given to the relevant requirements regarding ventilation; See *Before installation, page 9*

- The use of a gas-cooking appliance produces heat and humidity in the space where it is located. You should assure a good ventilation of the kitchen: keep open the natural ventilation exits, or install a mechanic ventilation device (hood).
- Gas appliances and systems must be regularly checked for proper functioning. Please arrange for annual maintenance.
- Clean the gas burners regularly. The flames should be blue and burn evenly.
- Good combustion is required in gas appliances. In case of incomplete combustion, carbon monoxide (CO) might develop. Carbon monoxide is a colourless, odourless and very toxic gas, which has lethal effect even in very small doses.
- Request information about gas emergency telephone numbers and safety measures in case of gas smell from you local gas provider.

## What to do when you smell gas

---



### DANGER

#### Risk of explosion and poisoning!

Do not use open fire and do not smoke.

Do not operate any electric switches (e.g. light switch or door bell).

Do not use a telephone or mobile phone.

- 
1. Close all valves on gas appliances and gas counter.
  2. Open doors and windows.
  3. Check all tubes and connections for tightness. If you still smell gas leave the property.

4. Warn the neighbours.
5. Call the fire-brigade. Use a telephone outside the house.
6. Do not re-enter the property until you are told it is safe to do so.

## **Intended use**

The appliance is designed for domestic use only. Commercial use is not admissible.

This appliance should not be used for heating purposes.

The manufacturer shall not be liable for any damage caused by improper use or handling errors.

## **Disposal**

### **Packaging material**

---



#### **DANGER**

**Risk of suffocation by the packaging materials!**

Keep children away from the packaging materials.

---

The packaging material and transport locks are made from materials that are not harmful to the environment. Please dispose of all parts of the packaging according to environmental standards. This is beneficial to the environment and saves precious raw materials.

## **Old equipment**



This appliance bears the selective sorting symbol for waste electrical and electronic equipment (WEEE). This means that this appliance must be handled pursuant to European Directive 2002/96/EC in order to be recycled or dismantled to minimize its impact on the environment. For further information, please contact your local or regional authorities.

Electronic appliances not included in the selective sorting process are potentially dangerous for the environment and human health due to the presence of hazardous substances.

## **Future transportation**

---



#### **NOTICE**

Do not place other items on the top of the appliance. The appliance must be transported upright.

---

Store the appliance's original box and transport the appliance in its original carton. Follow the guidance marks that are printed on the carton.

---



#### **Important**

Verify the general appearance of your equipment by identifying possible damage during the transportation.

---

Secure the caps and pan supports with adhesive tape.

### **If you do not have the original carton**

Pack the appliance in bubble wrap or thick cardboard and tape it securely in order to prevent damage during transportation.



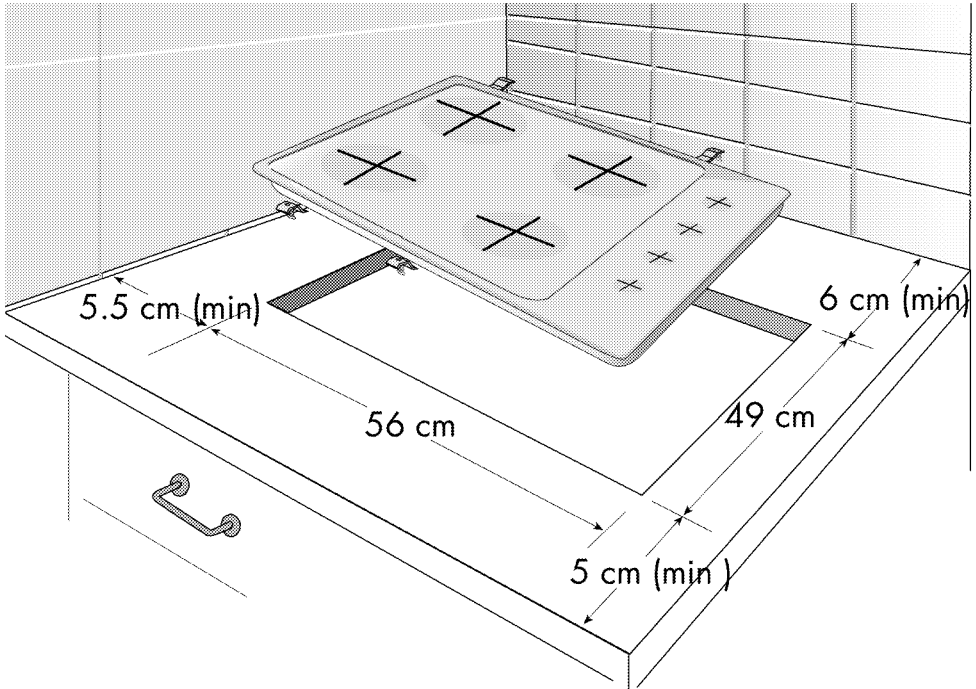
### 3 INSTALLATION

#### **Before installation**

The hob is designed for installation in a commercial worktop. A safety distance must be left between the appliance and the kitchen walls and furniture. See figure (values in mm).

- Remove packaging materials and transport locks.

- Surfaces, synthetic laminates and adhesives used must be heat resistant (100 °C minimum).
- The worktop must be aligned and fixed horizontally.
- Cut aperture for the hob in worktop as per installation dimensions.



#### **Room ventilation**

The air for combustion is taken from the room air and the exhaust gases are emitted directly into the room.

Good room ventilation is essential for safe operation of your appliance. If there is no window or door available for room ventilation, an extra ventilation must be installed.

Room size	Ventilation opening
smaller than 5 m <sup>3</sup>	min. 100 cm <sup>2</sup>
5 m <sup>3</sup> to 10 m <sup>3</sup>	min. 50 cm <sup>2</sup>
greater than 10 m <sup>3</sup>	not required
In the cellar or basement	min. 65 cm <sup>2</sup>

## Installation and connection

- For installation the appliance must be connected in accordance with all local gas and/or electrical regulations.

### Connection to the mains supply



#### **Important**

#### **This appliance must be earthed!**

Our company shall not held responsible for any damage caused by using the appliance without earthed socket.



#### **DANGER**

#### **Risk of electric shock, short circuit or fire by unprofessional installation!**

The appliance may be connected to the mains supply only by an authorized qualified person and the appliance is only guaranteed after correct installation.



#### **DANGER**

#### **Risk of electric shock, short circuit or fire by damage of the mains lead!**

The mains lead must not be clamped, bent or trapped or come into contact with hot parts of the appliance.

If the mains lead is damaged, it must be replaced by a qualified electrician.

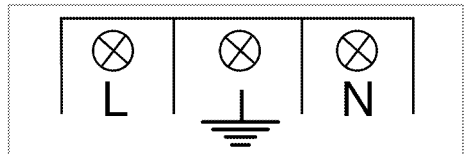
- The mains supply data must correspond to the data specified on the rating plate of the appliance. The rating plate is located at the rear housing of the appliance.
- The appliance mains cable must correspond to the specifications and

the power consumption; see *Technical Data*, page 5.

1. This appliance must only be installed by a qualified electrician, eg local electricity company or a NICEIC registered contractor, to a suitable double-pole control unit with a minimum contact clearance of 3 mm in all poles, after appliance has been installed in accordance with IEE regulations. Failure to observe this instruction may result in operational problems and invalidation of the appliance warranty.

Additional protection by a residual current circuit breaker is recommended.

2. Open the terminal block cover with screwdriver.
3. Pass the mains lead through the cable clamp under the terminal and fix the mains lead to main body with supplied screw via cable tightener.
4. Connect the cables according to the supplied diagram.



5. Close the cover of the terminal block once the wiring is complete.



#### **NOTICE**

Mains cable must not be longer than 2 meters for safety reasons.

6. The mains lead should be routed away from the appliance and not be trapped between the appliance and the wall.

## Connection to the gas supply



### **DANGER**

**Risk of explosion or poisoning  
by unprofessional installation.**

The appliance may be connected to the gas distribution system only by an authorized qualified person.



### **DANGER**

**Risk of explosion!**

Before starting any work on the gas installation, please shut off the gas supply.

- Pressure and type of the gas supplied from the local distribution center must correspond to the data specified on the rating plate or gas type indication label of the unit.



### **NOTICE**

Your appliance is adjusted for Natural gas.

- Natural gas installation must be adjusted before the appliance is installed.
- There must be a flex pipe at the outlet of the installation for the natural gas connection and the tip of this pipe must be closed with a plug.
- Service Representative will remove the plug during connection and connect your appliance by means of a straight connection device (coupling).
- Make sure that the natural gas valve is readily accessible.
- If you need to use your appliance later with a different type of gas, you must consult the authorised Service for the related conversion procedure.

## Leakage control at the connection point

- Make sure that all knobs on the appliance are turned off. Make sure that the gas supply is on. Prepare soapy foam and apply it onto the connection edge of the hose for gas leakage control.
- Soapy part will froth if there is a gas leakage. In this case, inspect the gas connection once again.

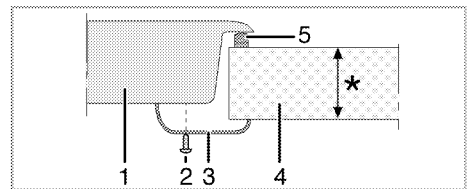


### **Important**

Never use a match or lighter to check for gas leakage.

## Installation

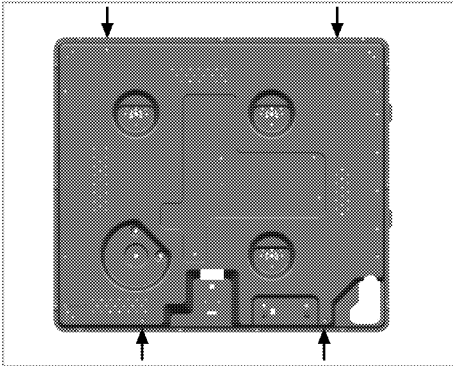
1. Place hob into aperture and align it.
2. In order to avoid the foreign substances and liquids penetrating between the hob and the worktop, please apply the putty supplied in the package to the contour of the housing in the worktop before installation but make sure that the putty does not overlap.
3. You can secure your hob to the worktop by using the clamp and the screws supplied.



\* min. 20 & max. 40 mm

- 1 Hob
  - 2 Screw
  - 3 Fixing clamp
  - 4 Worktop
  - 5 Leakage seal
4. Place the burner plates, burner plate caps and pan supports to their respective positions after installation.

### Bottom view (clamp holes)



Secure the hob.



#### Important

Clamping to different holes is not a good practice in terms of safety since it can damage the gas and electrical system.

### Final check

1. Open gas supply.
2. Check gas installations for secure fitting and tightness.
3. Ignite burners and check appearance of the flame.



#### Important

The flames should be blue and burn smoothly. If the flames appear yellowish, check secure position of the burner cap or clean the burner.

## Gas conversion



### DANGER

Risk of explosion!

Before starting any work on the gas installation, please shut off the gas supply.

In order to change your appliance's gas type, change all injectors and make flame adjustment for all valves at reduced flow rate position.

- **Call the authorised service for the gas conversion of your appliance.**

### Exchange injector for the burners

1. Take off burner cap and burner body.
2. Unscrew injectors.
3. Fit new injectors.
4. Check all connections for secure fitting and tightness.



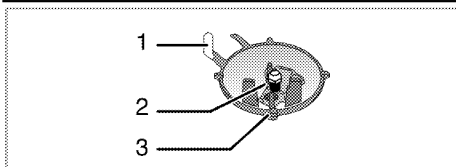
## NOTICE

New injectors have their position marked on their packing or table can be referred



## Important

Unless there is an abnormal condition, do not attempt to remove the gas burner taps. You must call the authorised service if it is necessary to change the taps.



- 1 Sparking plug
- 2 Injector
- 3 Burner

## Reduced gas flow rate setting for hob taps

1. Ignite the burner that should be adjusted and turn the knob to the reduced position.
2. Take out the knob off.
3. With a screwdriver, make the tap reduced flow adjustment from the injector that is on the gas tap.

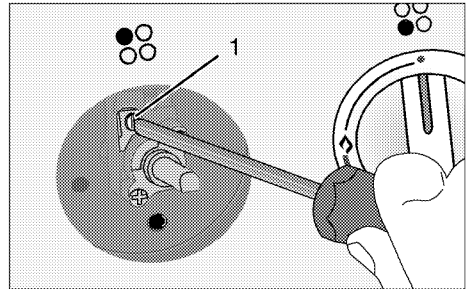
For LPG (Butane - Propane) turn the screw clockwise.

For the natural gas, you should turn the screw **counter-clockwise** once.

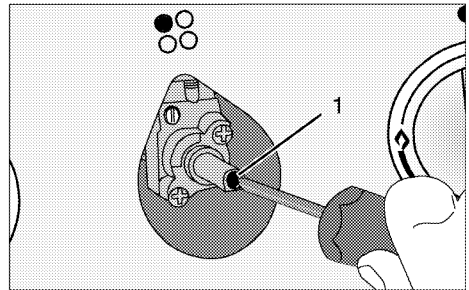
» The normal length of a straight flame in the reduced position should be 6-7 mm.

4. If the flame is higher than the desired position, turn the screw clockwise. If it is smaller turn to the opposite.
5. For the last control, bring the burner both to high-flame and reduced positions and check whether the flame is on or off.

Depending on the type of gas tap used in your appliance the adjustment screw position may vary. See below diagrams.



- 1 Flow rate adjustment screw



- 1 Flow rate adjustment screw



## NOTICE

If the gas type of the unit is changed, then the rating plate that shows the gas type of the unit must also be changed.

## **4** PREPARATION

---

### **Tips for saving energy**

The following tips will help you to use your appliance in an ecological way and to save energy:

- Use pots/pans with lids for cooking. Without a lid, the current consumption may be up to four times higher.
- Choose the plate which is suitable to the saucepan base. Always choose the correct size of saucepans for your meals. For larger plates more energy is needed.

### **Initial operation**

#### **First cleaning of the appliance**



#### **NOTICE**

The surface might get damaged by some detergents or cleaning materials.

Do not use aggressive detergents, cleaning powder/cream or any sharp objects.

1. Remove all packaging materials.
2. Wipe the surfaces of the appliance with a damp cloth or sponge and dry with a cloth.

## 5 HOW TO USE THE HOB

### General information on cooking



#### **DANGER**

#### **Risk of fire by overheated oil!**

When you heat oil, do not leave it unattended.

**Never try to extinguish the fire with water!** When oil has caught fire, immediately cover the pot or pan with a lid. Switch off the hob if safe to do so and phone the fire service.

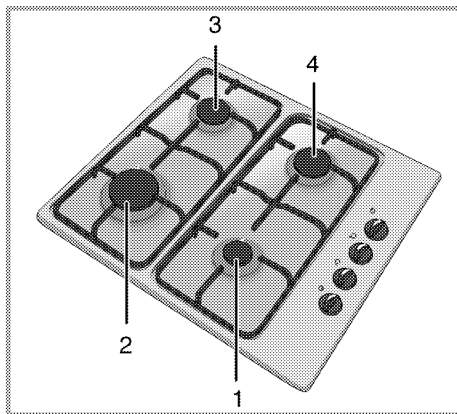
- Ensure handles of pans can not accidentally be caught or knocked and do not get heated by adjacent heating zones.

### Cooking with gas

- The size of the pan and the size of the gas flame should match each other. Adjust the gas flames so that they do not go beyond the bottom of the pan always place the pan onto the pan support in a central position.

The large flame symbol corresponds to the highest cooking power, the small flame symbol corresponds to the lowest cooking power. In the off position (top) the gas supply to the plates is locked.

### How to use hobs



- \* List of advised diameter of pots to be used on related burners.
  - 1 Auxiliary burner 12-18 cm
  - 2 Rapid burner 22-24 cm
  - 3 Normal burner 18-20 cm
  - 4 Normal burner 18-20 cm

### Ignite the gas burners

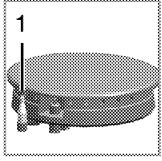
The burners are ignited with the hob control knobs.

1. Keep hob control knob pressed.
  - » A spark ignites at the plate.
2. Turn anticlockwise to the large flame symbol.
  - » The escaping gas is ignited.
3. Adjust to the desired cooking power.

### Switch off the gas burners

Turn burner control knob to off position (top).

## Flame failure device (model dependant)



1 . Flame failure device

In case of any flame failures for any reasons in the top burners, the flame failure device immediately cuts of the gas flow.

- Turn the knob clockwise direction by pressing and wait for its ignition.
- Keep the knob at pressed position for 3-5 seconds after you see the flame around the burner.

- Repeat the sequence of operations if the flame does not continues. After you release the knob, if the ignition does not continue repeat the same process by keeping the knob pressed for 15 seconds.



### **DANGER**

**Risk of deflagration incase of unburned gas!**

Do not press the knob for longer than 15 seconds if there was no ignition.  
Wait for one minute and then repeat the ignition process.

---



## 6 MAINTENANCE AND CARE

---

### General information

---



**DANGER**  
**Risk of electric shock!**

Switch off the electricity before cleaning appliance to avoid an electric shock.

---



**DANGER**  
**Hot surfaces may cause burns!**

Allow the appliance to cool down before you clean it.

---



**NOTICE**  
The surface might get damaged by some detergents or cleaning materials.  
Do not use aggressive detergents, cleaning powder/cream or any sharp objects.

---

Clean the appliance thoroughly after each use; in this way it will be possible to remove cooking residues more easily, thus

avoiding these from burning the next time the appliance is used.

No special cleaning agents are required for cleaning the appliance. It is recommended to use warm water with washing liquid, a soft cloth or sponge and use a dry cloth for drying.

**Do not use any abrasive cleaning materials!**

---



**Important**  
Do not use steam cleaners for cleaning.

---

### How to clean the hob

#### Gas hobs

1. Remove pan supports and burner caps and clean them.
2. Clean the hob.
3. Refit burner caps and check that they are securely positioned.
4. While placing pan supports, take care that burners centered to pan supports.

## 7 TROUBLESHOOTING



### DANGER

**Risk of explosion or poisoning by unprofessional repair.**

Repairs on the appliance must be carried out by an approved service centre.

### Normal operating conditions

- Smoke and smell may emit for a couple of hours during the first operation.
- When the metal parts are heated, they may expand and cause noise.

**Before you call the service, please check the following points.**

### Gas

Malfunction/problem	Possible cause	Advice/remedy
No ignition spark is produced.	No electric supply to the appliance.	Check fuses in the fuse box.
No gas is emitted.	Main gas tap is closed.	Open gas tap.
	Safety tube is bent.	Install safety tube without bends.
Burners do not burn smoothly or not at all.	Burners are dirty.	Clean burner parts.
	Burners are not dry.	Dry burner parts.
	Burner cap is not securely positioned.	Position burner correctly.
	Gas tap is closed.	Open gas tap.
	Gas container is empty (in case of LPG connection).	Replace gas container.

If the problem has not been solved:

1. Separate unit from the mains supply (deactivate or unscrew fuse).
2. Call the appropriate telephone number for your area as shown in the Guarantee and Service section of this user manual.



### Important

Do not attempt to repair the appliance yourself. There are no customer service items inside the appliance.

## 8 Guarantee and Service

Your Beko product is guaranteed against the cost of breakdown repairs for twelve months from the date of the original purchase.

### What is covered?

- All repairs necessary as a result of faulty materials, defective components or manufacturing defect.
- The cost of all functional replacement parts.
- The labour costs of a Beko approved repairer to carry out the repair.

### What is not covered?

- Transit or delivery damage
- Accidental damage
- Misuse, or abuse.
- Cabinet or appearance parts, including knobs and flaps
- Accessory items, including ice trays, scrapers, cutlery baskets,
- Repairs required as a result of unauthorised repairs or inexpert installation that fails to meet the requirements contained in the user instruction book.

Repairs to products used on commercial or non-residential household premises.

### Important notes.

- The product is guaranteed for domestic household use only.
- The guarantee will be void if the product is installed or used in commercial or non-residential household premises.
- The product must be correctly installed, located and operated in accordance with the instructions contained in the User Instructions Booklet provided.
- Professional Installation by a qualified plumber/electrical appliance installer is recommended for all Washing & Dishwashing Machines and Electric Cookers
- Gas appliances must only be installed by a Gas Safe (or BORD GAIS) registered Gas Installer.
- The guarantee is given only within the boundaries of the United Kingdom.
- The guarantee is not transferable if the product is resold.
- Beko plc disclaims any liability for incidental or consequential damages.
- The guarantee does not in anyway diminish your statutory or legal rights.

## HOW TO OBTAIN SERVICE UNDER THE MANUFACTURERS WARRANTY

Please keep your purchase receipt or other proof of purchase in a safe place; you will need to have it should the product require attention in the guarantee period

You should also complete the details below; it will help us assist you quicker when requesting service. (The model number is printed on the Instruction Booklet)

Model Number: \_\_\_\_\_

Purchased From: \_\_\_\_\_

Date of purchase: \_\_\_\_\_

For service under guarantee simply telephone the appropriate number below  
UK Mainland & Northern Ireland

Fridges & Freezers	0845 600 4903
Electric Cookers	0845 600 4902
Gas & Dual Fuel Cookers	0845 600 4905
Washing Machines & Dishwashers	0845 600 4906

Republic of Ireland

All Refrigeration, Cooking, Washing & Dishwashing Machines 01 862 3411

Before requesting service please check the trouble-shooting guide in the Operating Instructions as a charge may be levied where no fault is found even though your product may still be under guarantee.

If you have purchased an extended guarantee please refer to the instructions contained within the extended guarantee agreement document. Otherwise please call the above numbers where service can be obtained at a charge.

Service once the manufacturers guarantee has expired.

Should you experience any difficulty in obtaining service please call the

**Beko Customer Help-Line on 0845 600 4911**

**Beko House, Caxton Way, Watford, Herts, WD18 8UF, Tel: 0845 600 4911**

