

Vacuum Cleaner

User Manual



VCM 7180 P

EN

01M-8837713200-0217-02

beko




Please read this manual first!

Dear Valued Customer,

Thank you for selecting this Beko appliance. We hope that you get the best results from your appliance which has been manufactured with high quality and state-of-the-art technology. For this reason, please read this user manual and all other provided documents carefully before using the appliance and keep it as a reference for future use. If you hand over the appliance to someone else, give the user manual as well. Follow the instructions by paying attention to all the information and warnings in the user manual.

Meanings of the Symbols

Following symbols are used in various sections of this manual:

	Important information and useful hints about usage.
	WARNING: Warnings against dangerous situations concerning the security of life and property.
	Protection class for electric shock.



This product has been produced in environmentally friendly, modern facilities.



This product does not contain PCB's.

CONTENTS

1 Important safety and environmental instructions 4-6

1.1 General safety	4
1.2 Compliance with WEEE Directive and Disposing of the Waste Product	5
1.3 Compliance with RoHS Directive	5
1.4 Package information	5
1.5 Plug Wiring	6

2 Your vacuum cleaner 7

2.1 Overview	7
2.2 Technical data.....	7

3 Usage 8-10

3.1 Intended use	8
3.2 Attaching/removing the hose.....	8
3.3 Attaching/removing the telescopic tube ..	8
3.4 Attaching/removing the parquet/carpet brush.....	8
3.5 Adjusting the parquet/carpet brush	8
3.6 Operation	9
3.6.1 Adjusting the suction power	9
3.7 Accessories.....	9
3.8 Turbo brush.....	9
3.9 Hard floor brush.....	9
3.10 Warnings regarding the energy label.....	9
3.11 Switching off the vacuum cleaner and parking feature	10

4 Cleaning and care 10-12

4.1 Dust indicator	10
4.2 Emptying the dust container	11
4.3 Cleaning the cyclone separator	11
4.4 Cleaning the filters.....	11
4.4.1 Motor protection filter (MIF)	12
4.4.2 Foam filter	12
4.4.3 HEPA filter	12
4.5 Storage.....	12
4.6 Handling and transportation	12

5 Guarantee 13

1 Important safety and environmental instructions

This section contains safety instructions that will help protect from risk of personal injury or property damage.

Failure to follow these instructions invalidates the granted warranty.

1.1 General safety

- This appliance complies with international safety standards.
- This appliance can be used by children aged from 8 years and above and persons with reduced physical, sensory or mental capabilities or lack of experience and knowledge if they have been given supervision or instruction concerning use of the appliance in a safe way and understand the hazards involved. Children shall not play with the appliance. Cleaning and user maintenance shall not be made by children without supervision.
- If the power cable or the appliance itself is damaged, do not use it. Contact an authorised service.
- Your mains power supply should comply with the information on the rating plate of the appliance.
- The mains plug is fitted with a 13A fuse. Ensure the same rating fuse is used should it need replacement.
- Do not use the appliance with an extension cable.
- To avoid any damage to the power cable, prevent it from being squeezed, bent or rubbed on sharp edges.
- Do not touch the plug when the appliance is plugged in if your hands are damp or wet.
- Do not pull the power cable when unplugging the appliance.
- Do not vacuum flammable materials and when vacuuming cigarette ash, make sure that it has cooled down.
- Do not vacuum water or other liquids.
- Protect the appliance from rain, humidity and heat sources.
- Never use the appliance in or near places where combustible or inflammable ambience or places are present.

1 Important safety and environmental instructions

- Unplug the appliance before cleaning and maintenance.
- Do not immerse the appliance or its power cable in water for cleaning.
- Check the hose of the appliance regularly. Do not use if it is damaged and contact an authorised service.
- Do not dismantle the appliance.
- Only use the original parts or parts recommended by the manufacturer.
- Do not use the appliance without filters; otherwise, it can get damaged.
- When vacuum-cleaning the stairs, the appliance should be located below the user.
- If you keep the packaging materials, store them out of the reach of children.

1.2 Compliance with WEEE Directive and Disposing of the Waste Product



This product complies with EU WEEE Directive (2012/19/EU). This product bears a classification symbol for waste electrical and electronic equipment (WEEE). This product has been manufactured with high quality parts and materials which can be reused and are suitable for recycling. Do not dispose of the waste product with normal domestic and other wastes at the end of its service life. Take it to the collection center for the recycling of electrical and electronic equipment. Please consult your local authorities to learn about these collection centers.

1.3 Compliance with RoHS Directive

The product you have purchased complies with EU RoHS Directive (2011/65/EU). It does not contain harmful and prohibited materials specified in the Directive.

1.4 Package information



Packaging materials of the product are manufactured from recyclable materials in accordance with our National Environment Regulations. Do not dispose of the packaging materials together with the domestic or other wastes. Take them to the packaging material collection points designated by the local authorities.

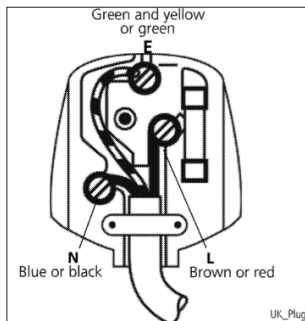
1 Important safety and environmental instructions

1.5 Plug Wiring

The moulded plug on this appliance incorporates a 13 A fuse. Should the fuse need to be replaced an ASTA approved BS1362 fuse of the same rating must be used. Do not forget to refit the fuse cover. In the event of losing the fuse cover, the plug must not be used until a replacement fuse cover has been fitted. Colour of the replacement fuse cover must be the same colour as that visible on the pin face of the plug. Fuse covers are available from any good electrical store.

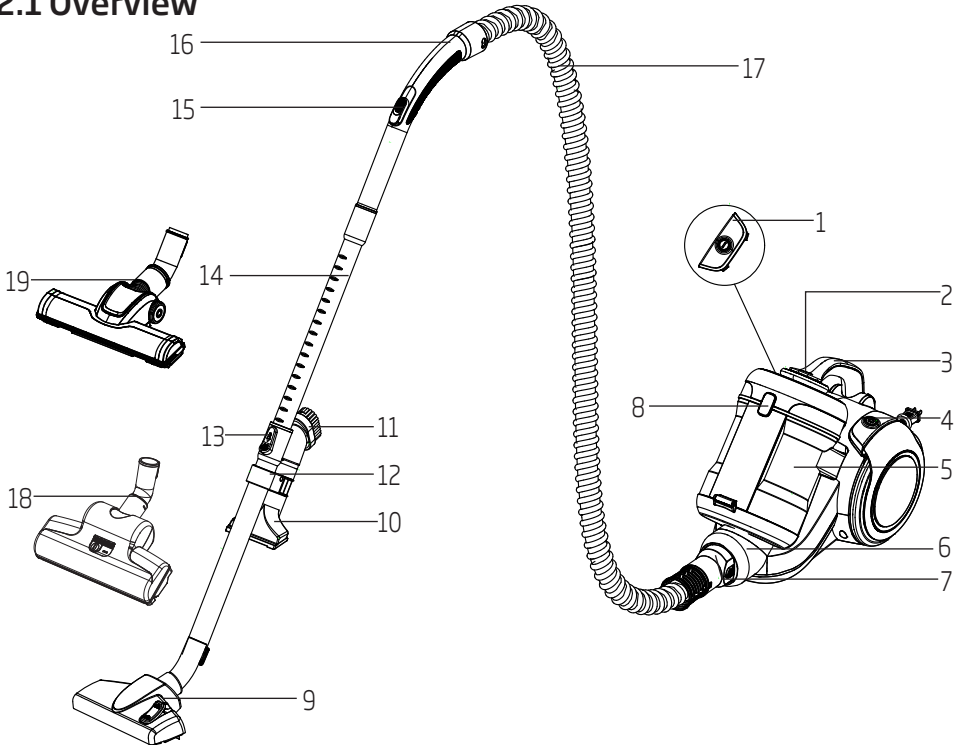
• Fiting a different plug

- As the colours of the wires in the mains lead of this appliance may not correspond with the coloured markings identifying the terminals on your plug, proceed as follows:
- Brown cable = L (Live)
- Blue cable = N (Neutral)
- Green/yellow cable must be connected to ground (E) \equiv line
- With the alternative plugs a 13 A fuse must be fitted either in the plug or adaptore or in the main fuse box. If in doubt contact a qualified electrician.



2 Your vacuum cleaner

2.1 Overview



1. On/Of button
2. Dust container removal button
3. Carriage handle
4. Cable winding button
5. Dust container
6. Suction nozzle
7. Hose cap
8. Opening button for the motor protection filter (MIF) housing
9. Parquet/carpet brush
10. Upholstery tool
11. Dust brush
12. Accessory carrier
13. Telescopic tube adjustment latch
14. Telescopic tube
15. Suction power adjustment control
16. Handle
17. Hose
18. Turbo brush
19. Hard floor brush

2.2 Technical data

Power : 800 W

Supply voltage :

220-240 V~, 50-60Hz

Dust container volume : 2.8 L

Operating radius : 11 m

Filter : HEPA13

Dust collecting on carpet : C

Dust collecting on hard surface : A

Dust emission : A

Energy class : A

Technical and design modification rights are reserved.

The values which are declared in the markings affixed on your appliance or other printed documents supplied with it represent the values which were obtained in the laboratories pursuant to the pertinent standards. These values may vary according to the usage of the appliance and ambient conditions.

3 Usage

3.6 Operation

1. Plug in the appliance after pulling the power plug located at the back of the appliance.

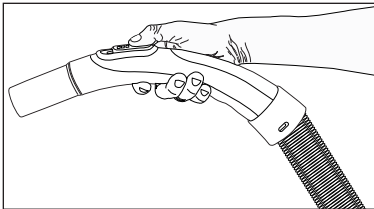


WARNING: Stop pulling the appliance cable when it comes to the yellow mark located on it. After the yellow mark the red mark comes. Do not pull any more after reaching the red mark.

2. Press the on/off button (1) to switch on your appliance.

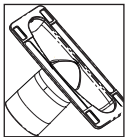
3.6.1 Adjusting the suction power

You can adjust the suction power with the suction power adjustment control (15) on the handle (16). The more you open the control, the more the suction power will be decreased.



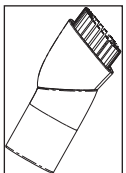
3.7 Accessories

Upholstery tool



Suitable for cleaning floorings, stair steps, inside of cars, sofas, armchairs etc.

Dust brush



Suitable for cleaning curtains, and sensitive and fragile objects.



WARNING: Do not perform cleaning by using the end part of the handle (16).

3.8 Turbo brush

The turbo brush (18) allows you to clear hair on carpets in a faster and more efficient way. Thus you can even remove hair -which is hard to remove such as dog hair or cat hair- more easily.

On surfaces where you have difficulty moving the turbo brush (18), push the slider found on the brush in the arrow direction.

3.9 Hard floor brush

The hard floor brush (19) was developed for use on hard floors such as tile, ceramic, parquet, wooden floors etc.

It prevents potential scratches while cleaning hard floors thanks to its specially-developed soft hair.

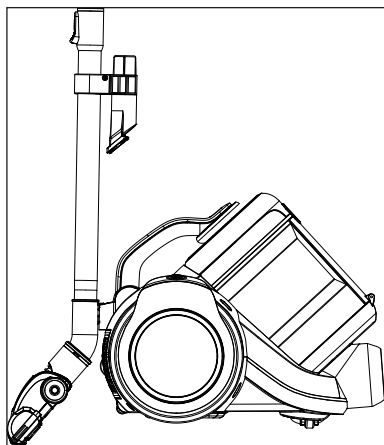
3.10 Warnings regarding the energy label

This is a general-purpose vacuum cleaner. In order to reach the highest energy efficiency and cleaning performance class specified in carpet and parquet cleaning, please use the high-performance parquet/carpet brush (9). The specified values regarding the energy label were determined according to the predefined measurement methods (in line with EN60312-1).

3 Usage

3.11 Switching off the vacuum cleaner and parking feature

1. After using the appliance, switch it off by pressing the On/off button (1) and unplug it.
2. Insert the hook of the parquet/carpet brush (9) into the parking groove located at the rear section of the appliance.



4 Cleaning and care

Switch off and unplug the appliance before cleaning it.



WARNING: Never use gasoline, solvent, abrasive cleaning agents, metal objects or hard brushes to clean the appliance.

4.1 Dust indicator

If the dust container is full or the hose or the tube is blocked by a large item such as a sock and thus the suction is prevented, the dust indicator next to the on/off button lights red.

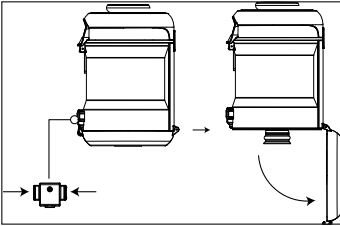


WARNING: If the dust container is empty, this means that a large item (such as a sock) is stuck in the hose or the tube and thus the air flow is blocked. In such cases, switch off the appliance and check the components.

4 Cleaning and care

4.2 Emptying the dust container

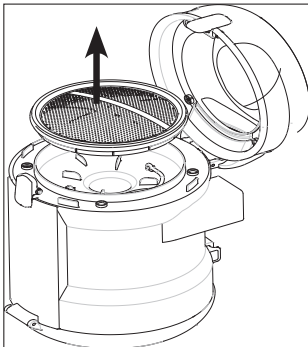
1. Press the dust container removal button (2) to remove the dust container (5) and remove the dust container.
2. Push the dust container removal latches located at the back of the dust container (5) from both sides.



- Open the dust container (5) cover and empty the container.
3. When you have emptied dust, close the dust container cover (5); a click sound will be heard.
 4. Insert the dust container (5) back into its location.

4.3 Cleaning the cyclone separator

1. Press the dust container removal button (2) and remove the dust container.
2. Press the top edge of the opening button for the motor protection filter (MIF) housing (8) and open the cover.
3. Remove the motor protection filter (MIF) located inside.



4. After removing the motor protection filter, you will see the metal handle on the cyclone separator. Holding this handle, remove the cyclone separator from the dust container (5).
5. Clean the cyclone separator and the dust container (5) compartment with a soft brush and wipe them with a damp cloth.



WARNING: Cyclone separator should not be immersed in water.

4.4 Cleaning the filters

Replace your filters at regular intervals according to the frequency of use. It is recommended that you replace the filters every 6 months for average use.

For replacement filters please visit the Beko website www.beko.co.uk

While you empty the dust accumulated in the dust container to clean the container, you need to clean the motor protection filter, the foam filter and HEPA filter as well.



WARNING: Do not use appliances producing hot air such as hair dryer or heater to dry the filters.



WARNING: Do not install the filters without completely drying them; otherwise, smell of moisture may occur during use, water can leak from the back of the appliance or the filters may get damaged.



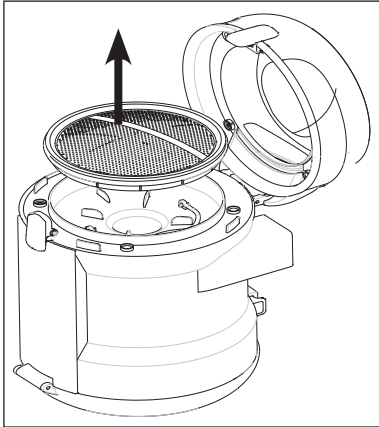
WARNING: Attach the filters into their places after they have dried.

4 Cleaning and care

4.4.1 Motor protection filter (MIF)

This filter is located on the dust container.

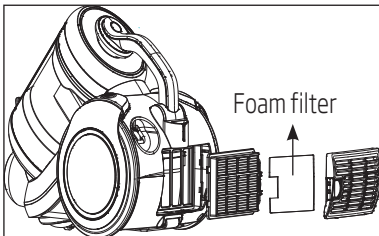
1. Press the dust container removal button (2) and remove the dust container (5).
2. Press the top edge of the opening button for the motor protection filter (MIF) housing (8).
3. Remove the motor protection filter by pulling it.



4. After shaking it off, wash it under running water, wring it out gently and leave it to dry (for 24 hours minimum).

4.4.2 Foam filter

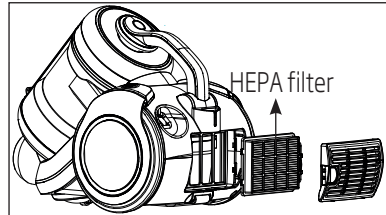
1. Push down the rear cover opening latch to open the cover.
2. Remove the foam filter behind the cover and wash it.



3. After shaking it off, wash it under running water, wring it out gently and leave it to dry (for 24 hours minimum).

4.4.3 HEPA filter

1. Push down the rear cover opening latch to open the cover and remove the HEPA filter by pulling it from its handle.



2. You can wash the filter under running water after shaking it off.
3. If you wash the HEPA filter, dry it at room temperature (for 24 hours minimum). Do not use it before ensuring that it is completely dry.
4. For a longer service life, you can clean the HEPA filter by hitting it on a hard surface instead of washing it. Thus the dusts accumulated on the HEPA filter will leave the filter as you hit it on a hard floor.

4.5 Storage

- If you do not intend to use the appliance for a long time, store it carefully.
- Unplug the appliance.
- Keep the appliance out of the reach of children.

4.6 Handling and transportation

- During handling and transportation, carry the appliance in its original packaging. The packaging of the appliance protects it against physical damages.
- Do not place heavy loads on the appliance or on the packaging. The appliance may get damaged.
- Dropping the appliance may render it non-operational or cause permanent damage.

5 Guarantee

Product Guarantee

12 months breakdown and repair guarantee

Guarantor: **Beko plc, 1 Greenhill Crescent, Watford, Hertfordshire. WD18 8UF**

The guarantee does not in any way diminish your statutory or legal rights.

Your **appliance** has the benefit of our manufacturer's guarantee which covers the product for 12 months from the date of original purchase.

This gives you reassurance that if within that time, your **appliance** is proven to be defective because of either workmanship or materials, we will at our discretion either repair or replace your **appliance**.

The **appliance** must be correctly installed, located and operated in accordance with the instructions contained in the user manual. The guarantor disclaims any liability for accidental or consequential damage.

The Guarantee is subject to the following conditions:

- Documentary proof of the original purchase date is provided.
- The appliance has been installed and operated correctly and in accordance with our operating and maintenance instructions.
- The appliance is used only on the electricity supply on the rating plate.
- The appliance has only been used for normal domestic purposes.
- The appliance has not been altered, serviced, dismantled or otherwise interfered with by any person.
- The appliance is used in the United Kingdom or Republic of Ireland.
- Any parts removed during repair work or any product that has been replaced becomes our property.
- The guarantee is not transferrable if the product is resold.

The Guarantee does not cover:

- Transit, installation or delivery damage.
- Accidental damage.
- Misuse or abuse.
- Replacement of any consumable item or accessories. These include but are not limited to: plugs, cables, light bulbs, knobs, filters and flaps.
- Repairs or replacements required as a result of unauthorised repairs or inexperienced installation that fails to meet the requirements contained in the user guide or instruction book.
- Repairs to products used in commercial or non-residential household premises.

How to obtain after sales service, help or general advice

Please keep your purchase receipt or other proof of purchase in a safe place as you will need to show us this document if your product requires attention within the guarantee period.

Please also record your product details below, which will allow you to access our services more quickly and help us identify your product. The model number is printed on the front of the user guide and the serial and model number is shown on your products rating plate.

Model number	Serial number	Purchased from	Date of purchase

Please call our UK based Customer Service department if you need help or advice from us:

United Kingdom and Northern Ireland: **0845 600 4911 / 0345 600 4911**
Republic of Ireland: **01 862 3411**
You can also contact us through our website: **www.beko.co.uk**

